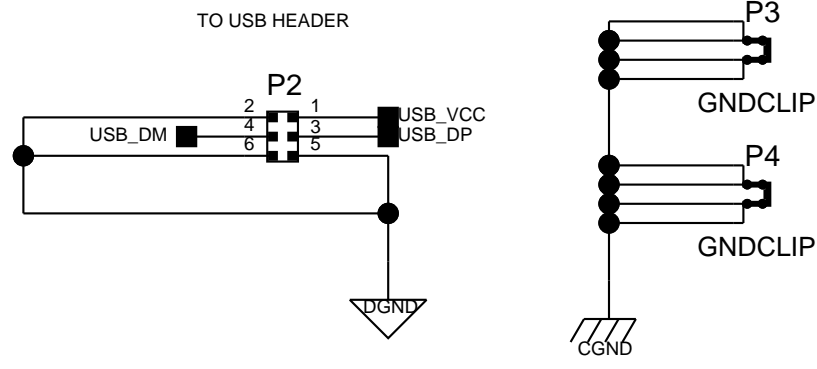
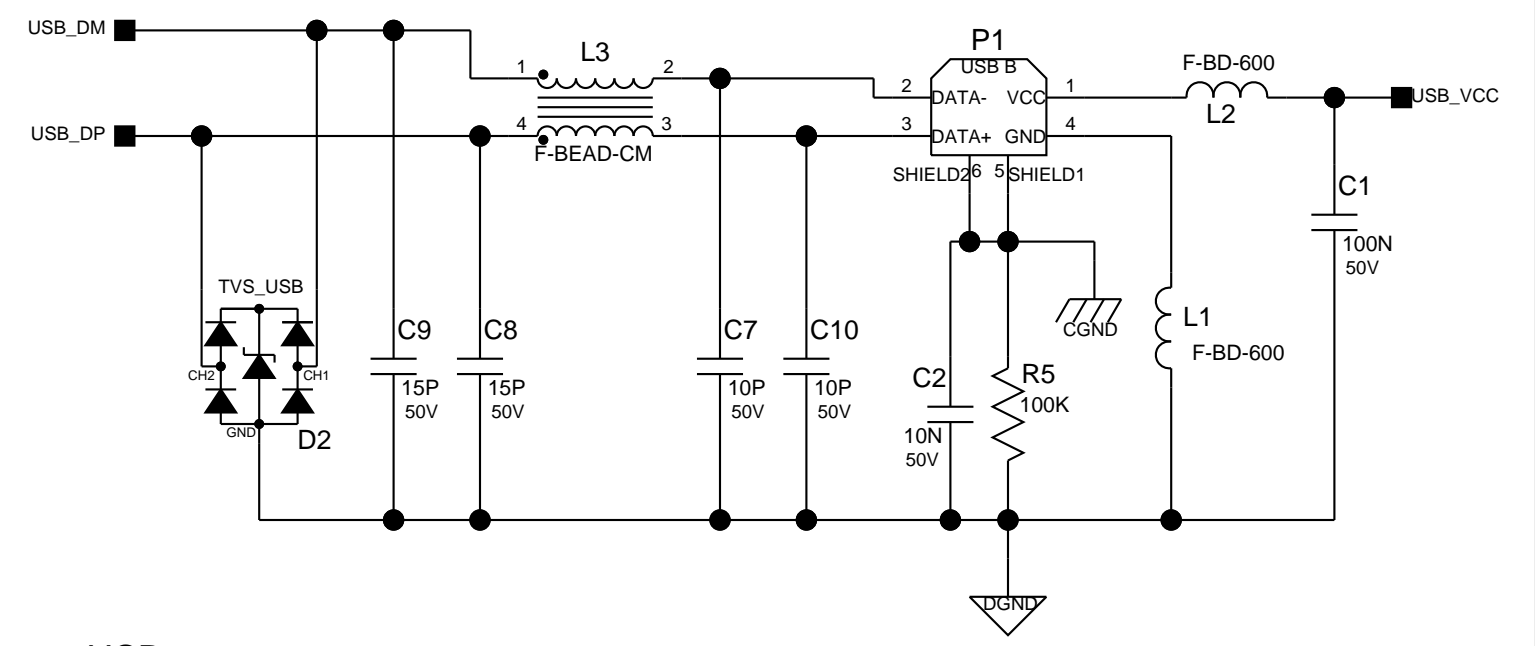


| REV | Eng | Date: | Revision Description | ECN# |
|-----|-----|-------|----------------------|------|
| A | | | | |
| B | | | | |
| C | | | | |
| D | | | | |
| E | | | | |
| F | | | | |

INDEX

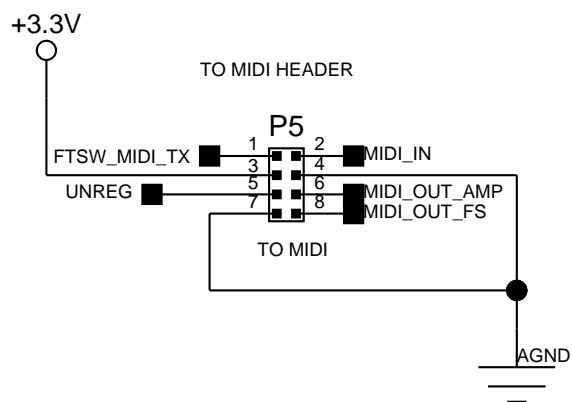
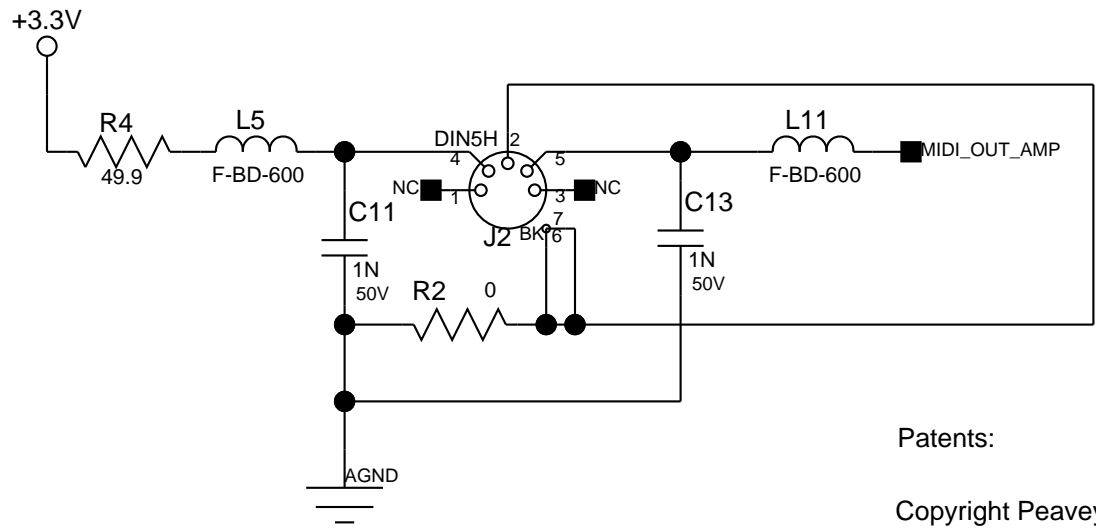
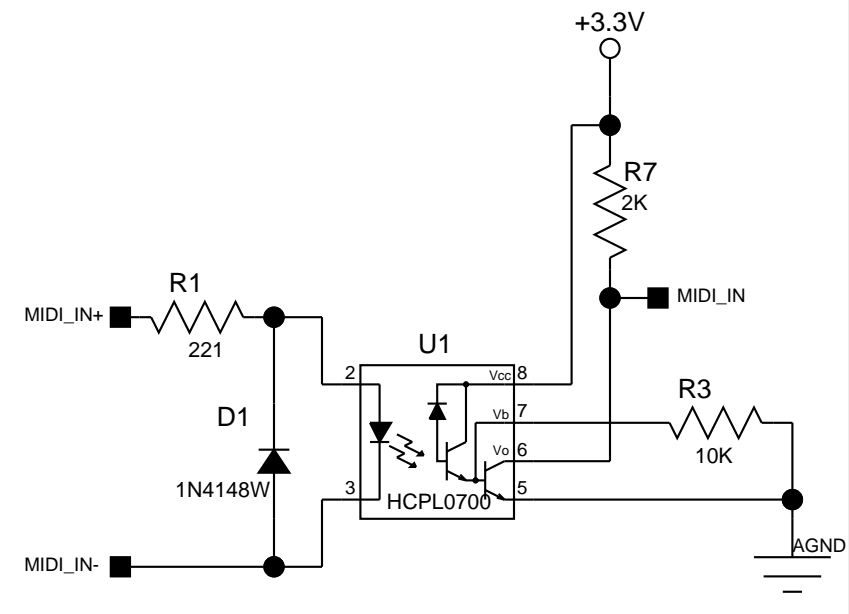
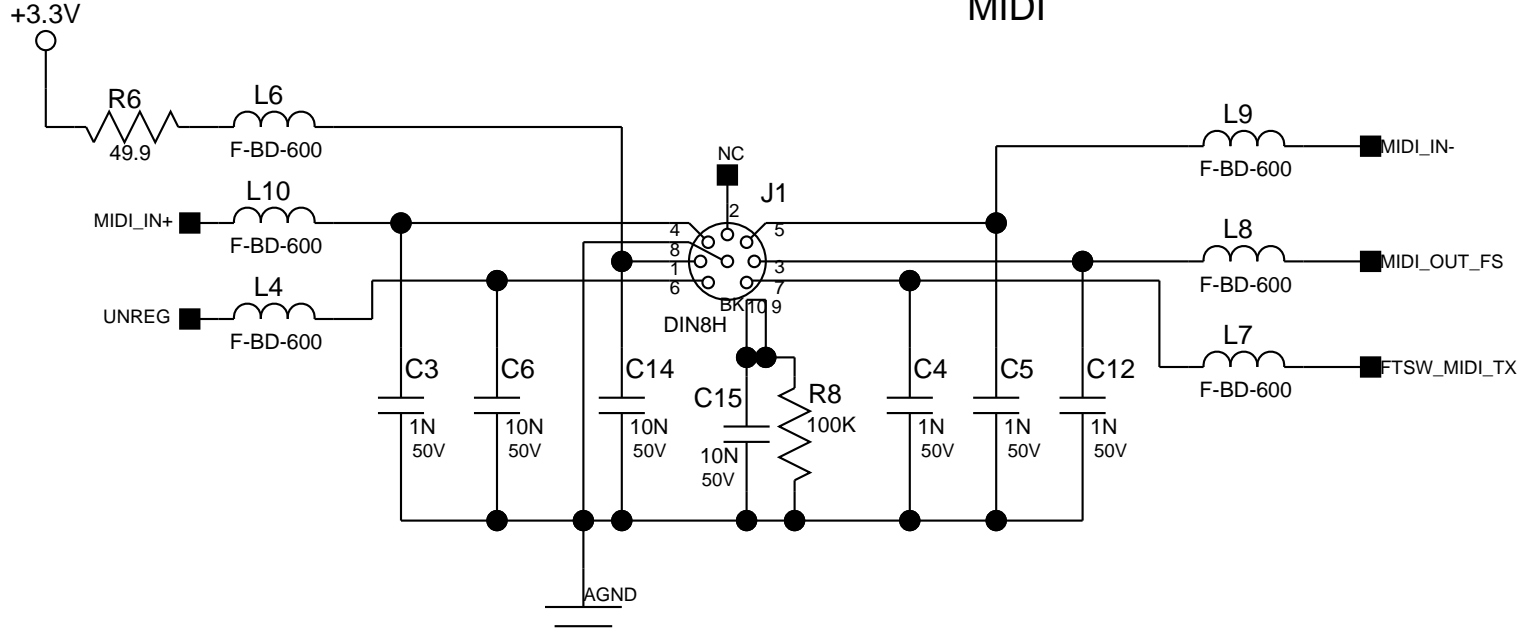
| SHEET | DESCRIPTION |
|-------|-------------|
| | |
| | |
| | |
| | |
| | |
| | |
| | |
| | |
| | |
| | |
| | |
| | |
| | |
| | |
| | |
| | |
| | |
| | |
| | |
| | |
| | |
| | |

Note: All thru hole Resistors are 1/4 Watt unless otherwise indicated.
All SMT 1206 Resistors are 1/4 Watt.
All SMT 0805 Resistors are 1/10 Watt.
Note Capacitor Values are indicated as Follows:
val P = pF (picoFarads) val * 10 exp-12
val N = nF (nanoFarads) val * 10 exp-9 (1N=1000pF, 100N=0.1uF)
val U = uF (microFarads) val * 10 exp-6



USB

MIDI

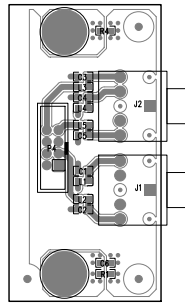


Patents:
Copyright Peavey Electronics Corporation 2012.

Company Proprietary Information



| | |
|-----------------------------|-----------------------|
| Product: | |
| Title: VYPYR_PRO_USB | |
| Project Number: | |
| Eng: | Release Date: |
| B Sheet 1 of 1 | Saved: 4-9-2014_15:37 |



32102103A.pcb - Thu Oct 30 14:37:21 2014

BILL OF MATERIAL REPORT

REPORT DATE/TIME: 4/16/2014 8:32:52 AM

BOARD NAME: VYPYR PRO AUX ASSEMBLY LEVEL NUMBER: 32206210A

PROJECT NUMBER: P1000115 DESIGNER: JTH-32102103A

| Qty. | Part # | Description | Reference |
|-------------|----------|------------------------------------|-------------------|
| Designators | | | |
| ----- | | | |
| 1 | 30200281 | 0.0 JUMPER 0.1 0603 | R4 |
| 1 | 30200475 | 100K 1/10W 1% MF 0603 | R1 |
| 5 | 30300123 | 1000PF 50V 10% X7R 0603 | C1 C2 C3 C4 C5 |
| 1 | 30300124 | 0.01UF 50V +80,20% Y5V 0603 | C6 |
| 5 | 30500935 | FERRITE CHIP SMT 600OHM 1.3A | L1 L2 L3 L4 L5 |
| 2 | 31466518 | JACK, M/STR 1/8" PHONE - INSULATED | J1 J2 |
| 1 | 33717359 | 8 HDR V DR 2MM GOLD | P4 |

END OF BILL OF MATERIAL REPORT
