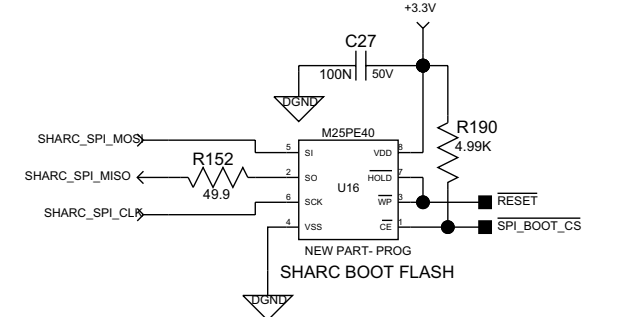
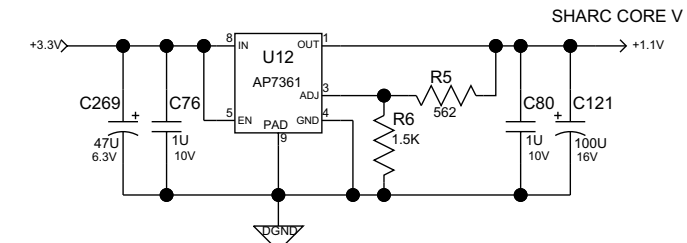
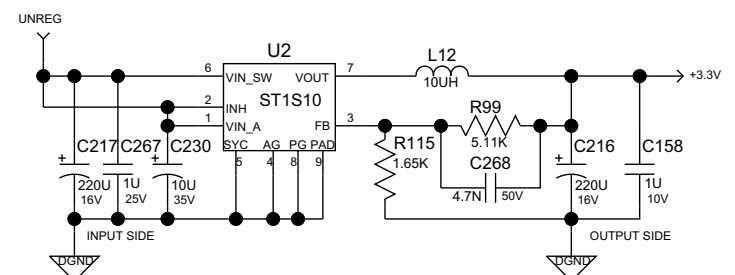
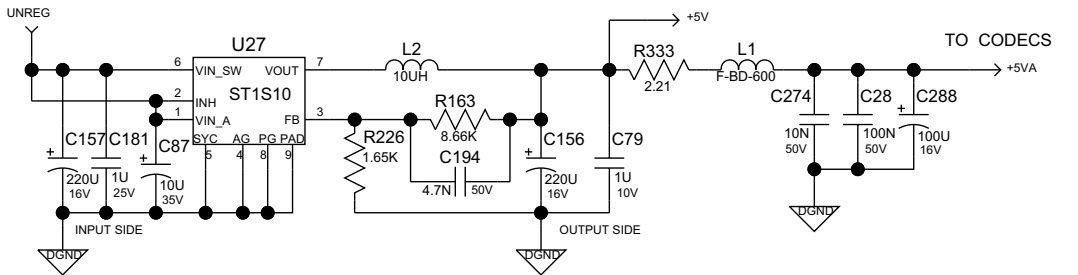
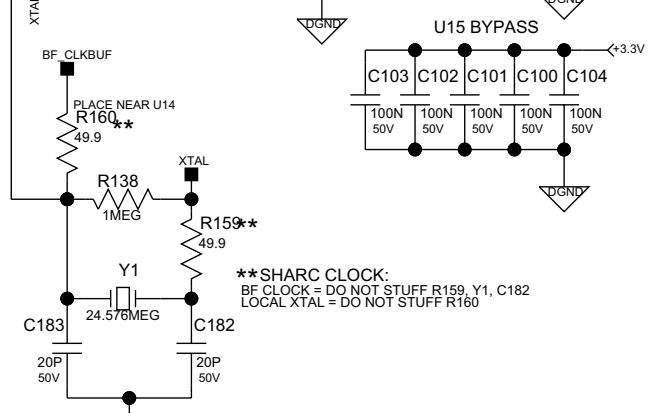
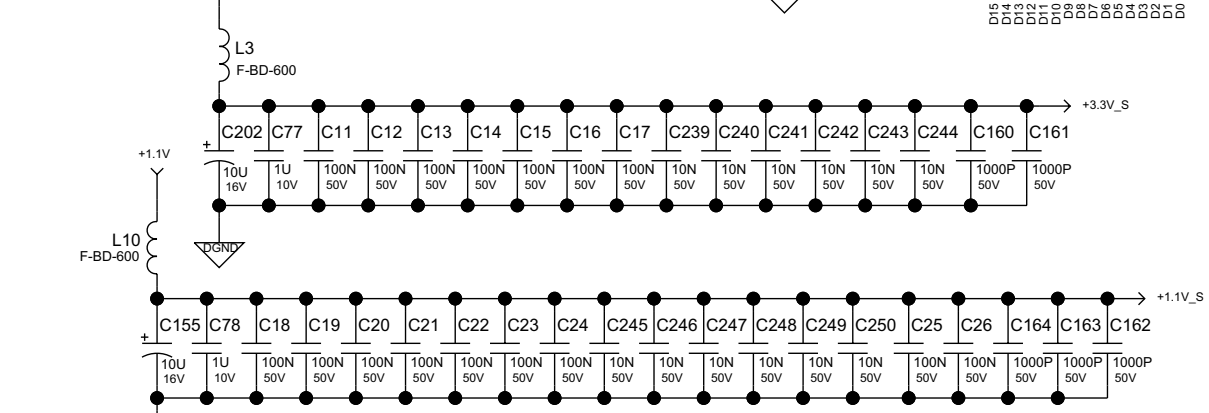
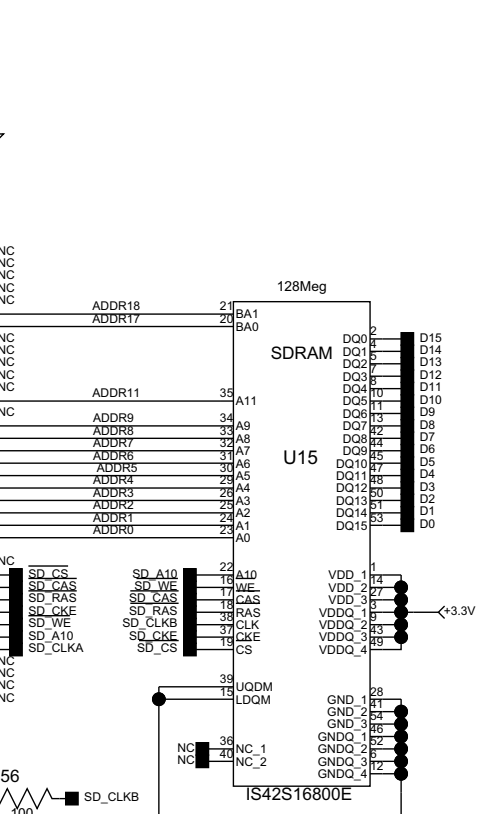
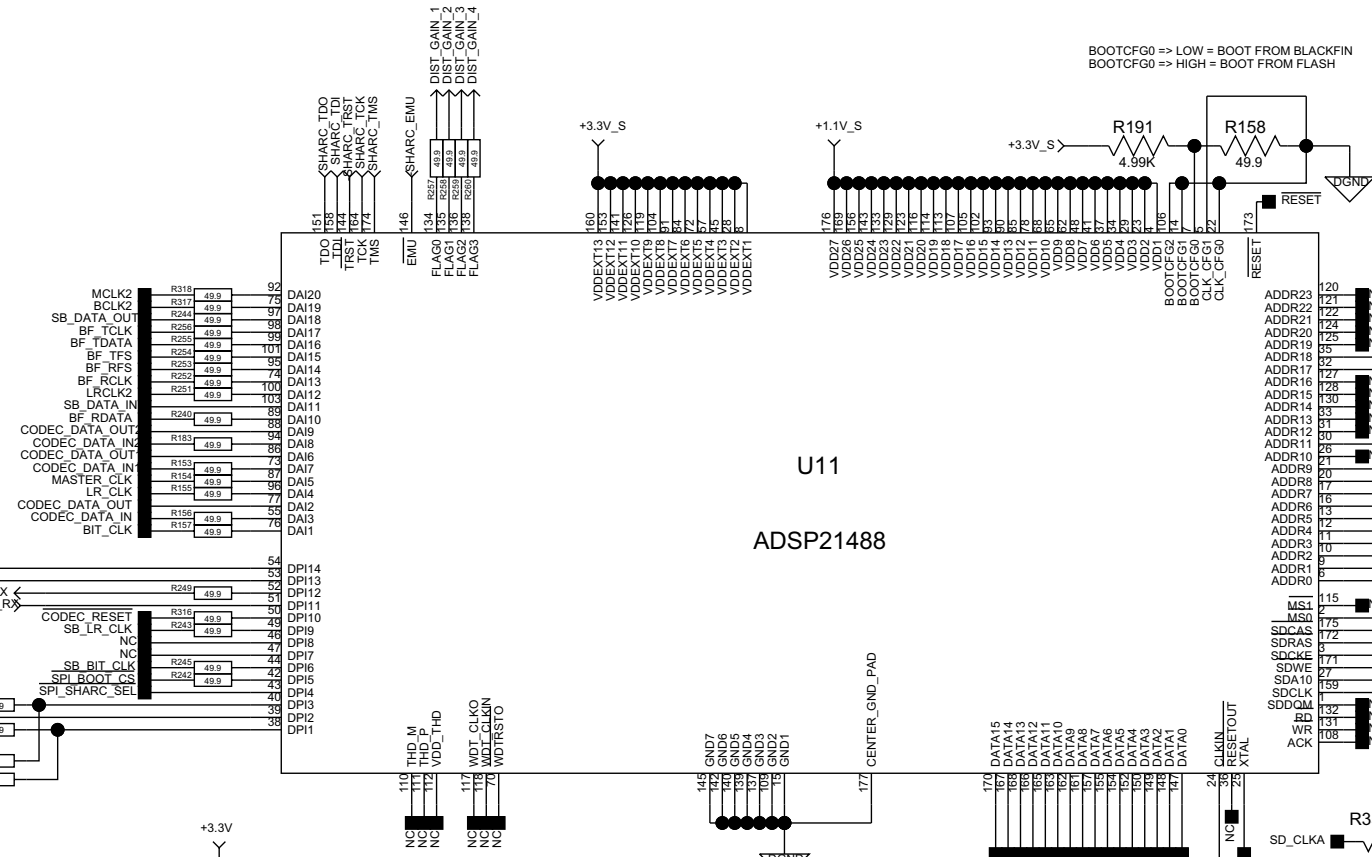
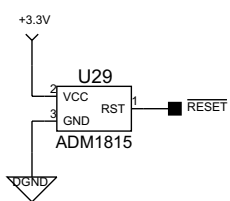
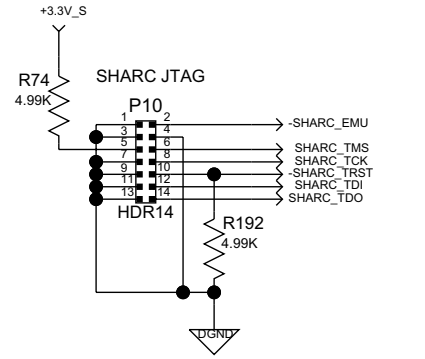


Do Not Stuff U16, C27, R152, R190, R246, R248



Do Not Stuff P10

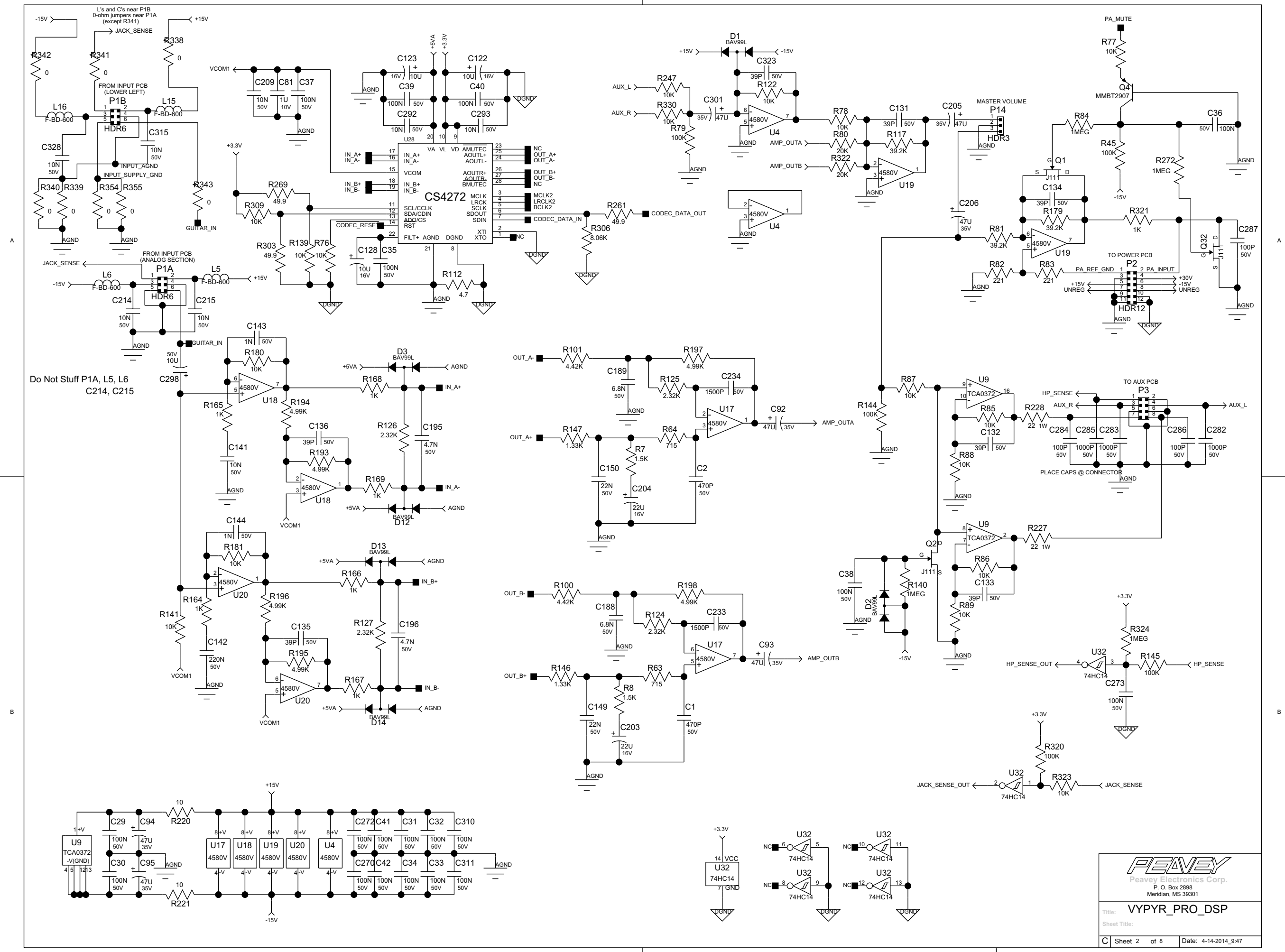


Title: VYPYR_PRO_DSP

Sheet Title:

COPYRIGHT PEAVEY ELECTRONICS 2011

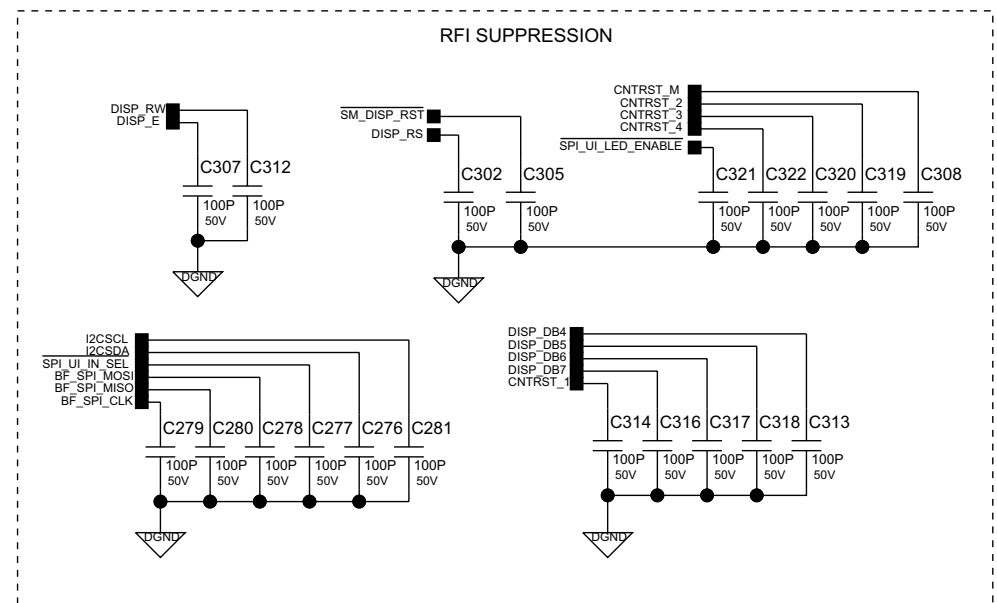
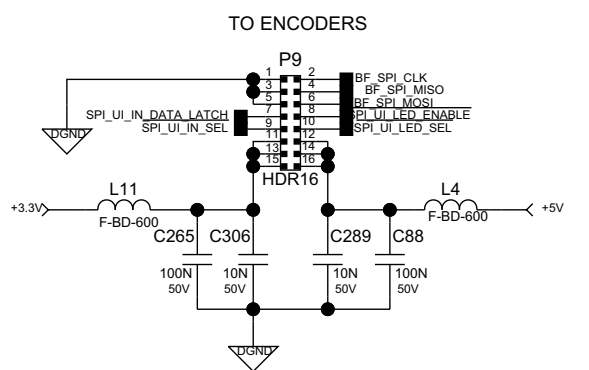
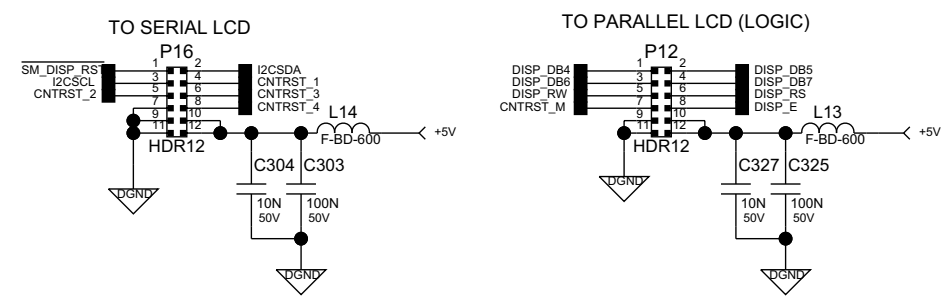
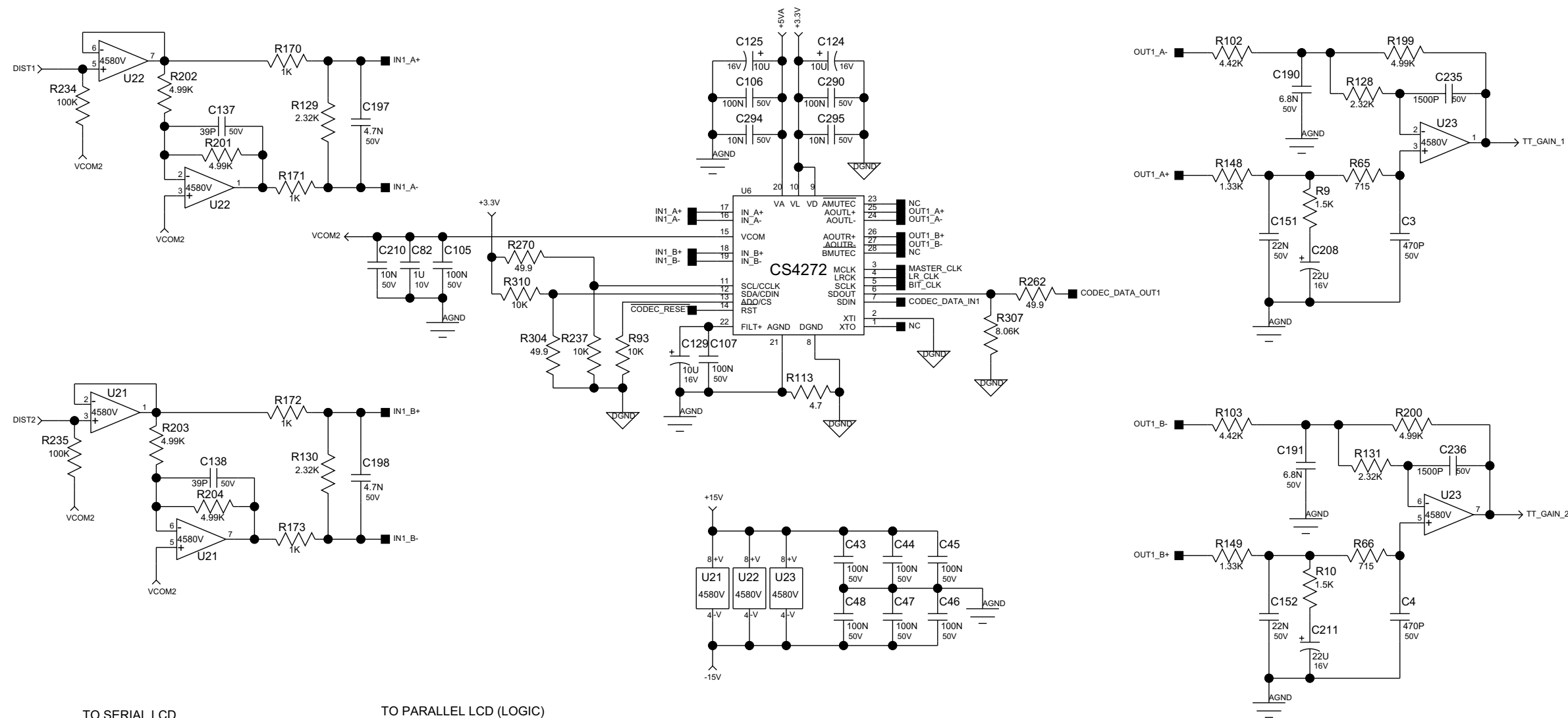
Sheet 1 of 8 Date: 4-14-2014_9:47



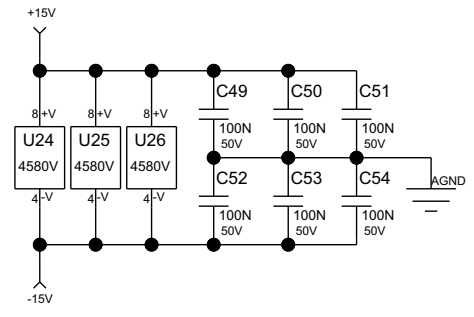
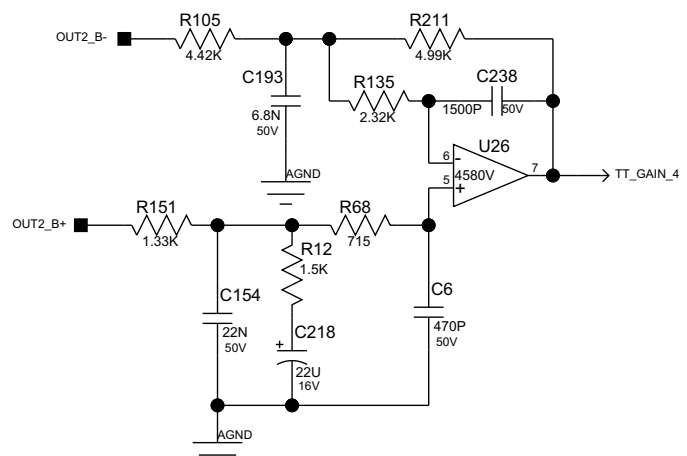
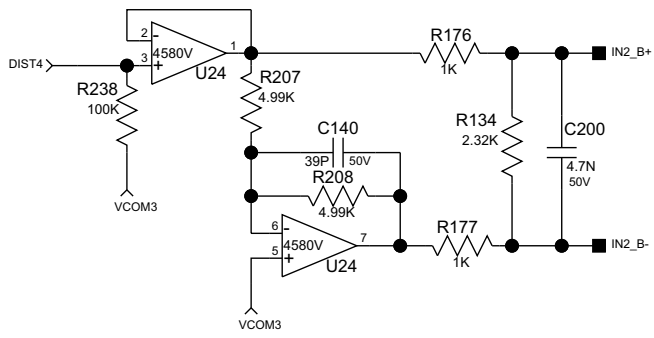
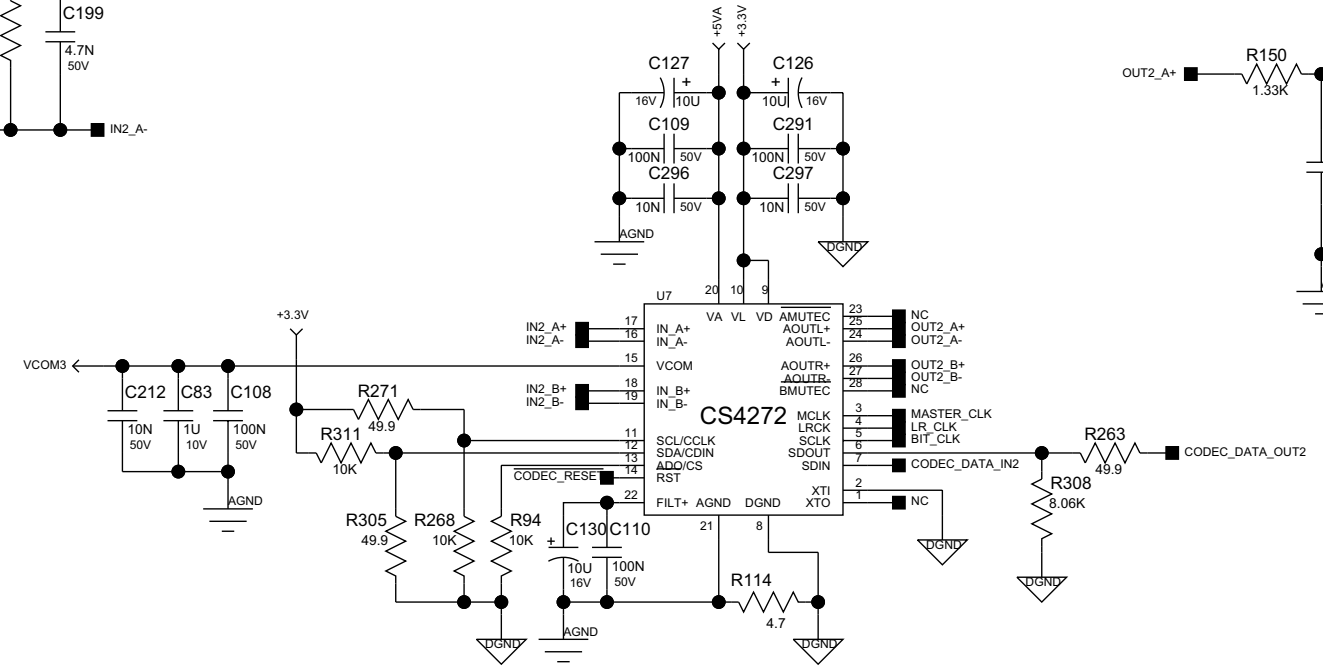
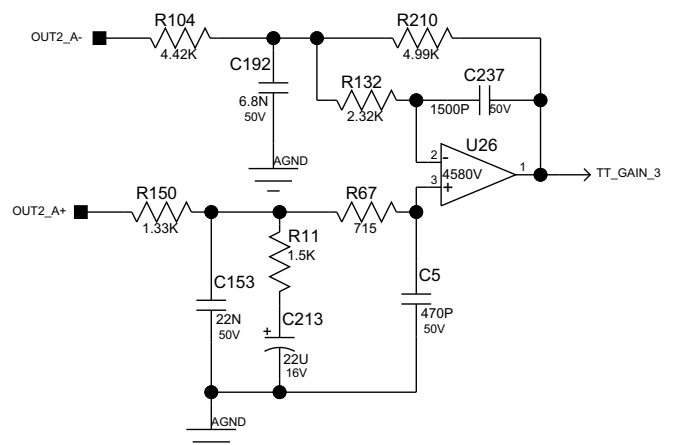
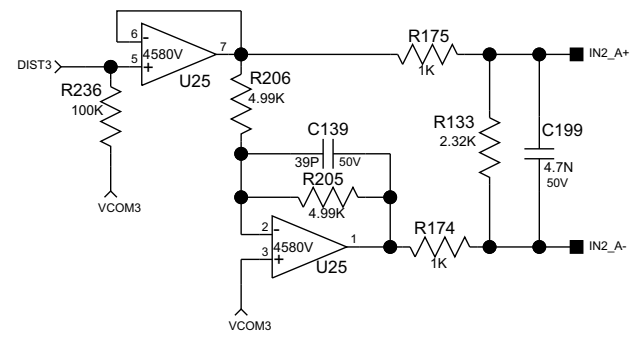
Do Not Stuff P1A, L5, L6
C214, C215

PEAVEY
Peavey Electronics Corp.
P. O. Box 2898
Meridian, MS 39301

Title: **VYPYR_PRO_DSP**
Sheet Title:
C Sheet 2 of 8 Date: 4-14-2014_9:47



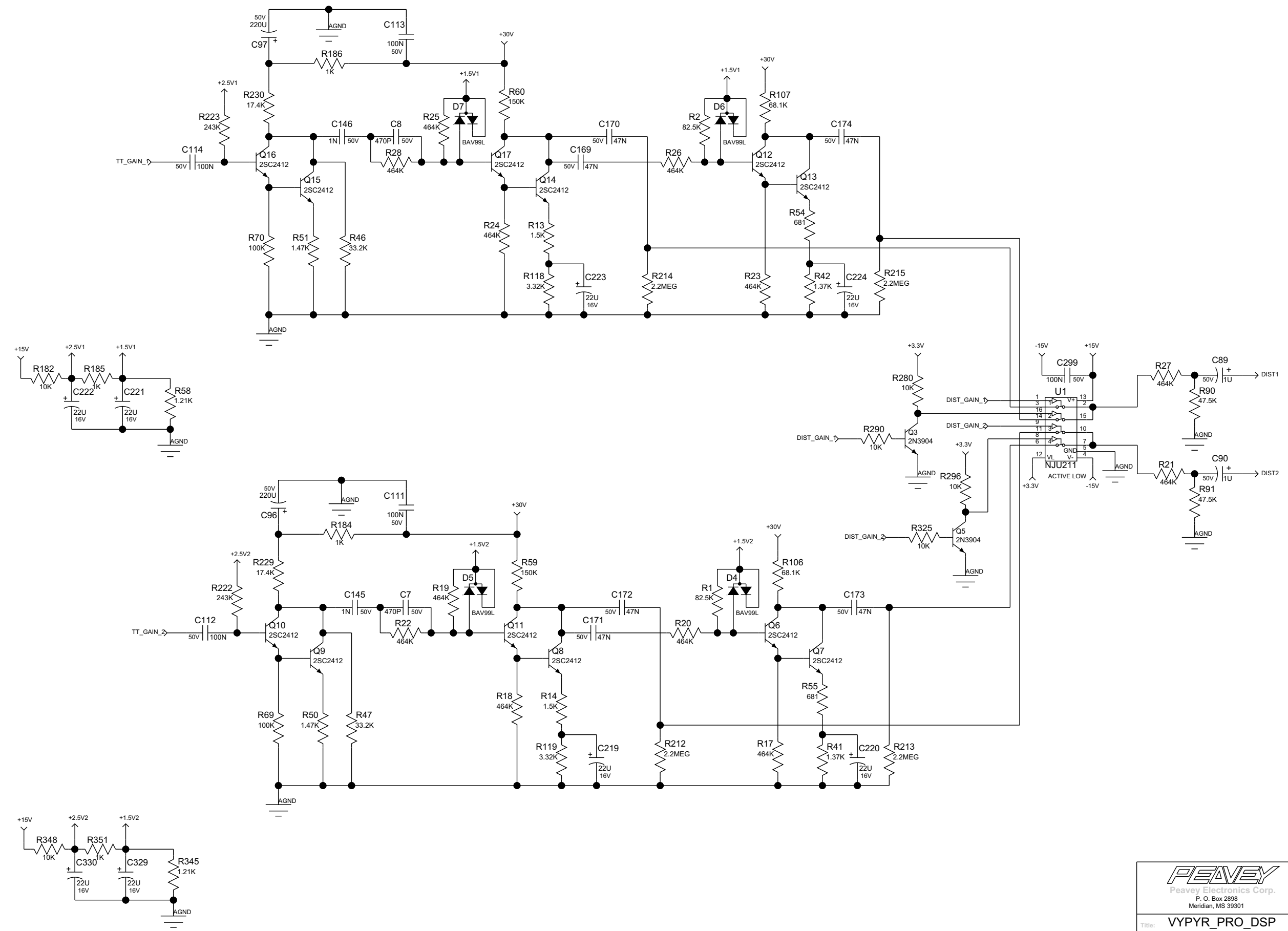
Title: VYPYR_PRO_DSP
Sheet Title:



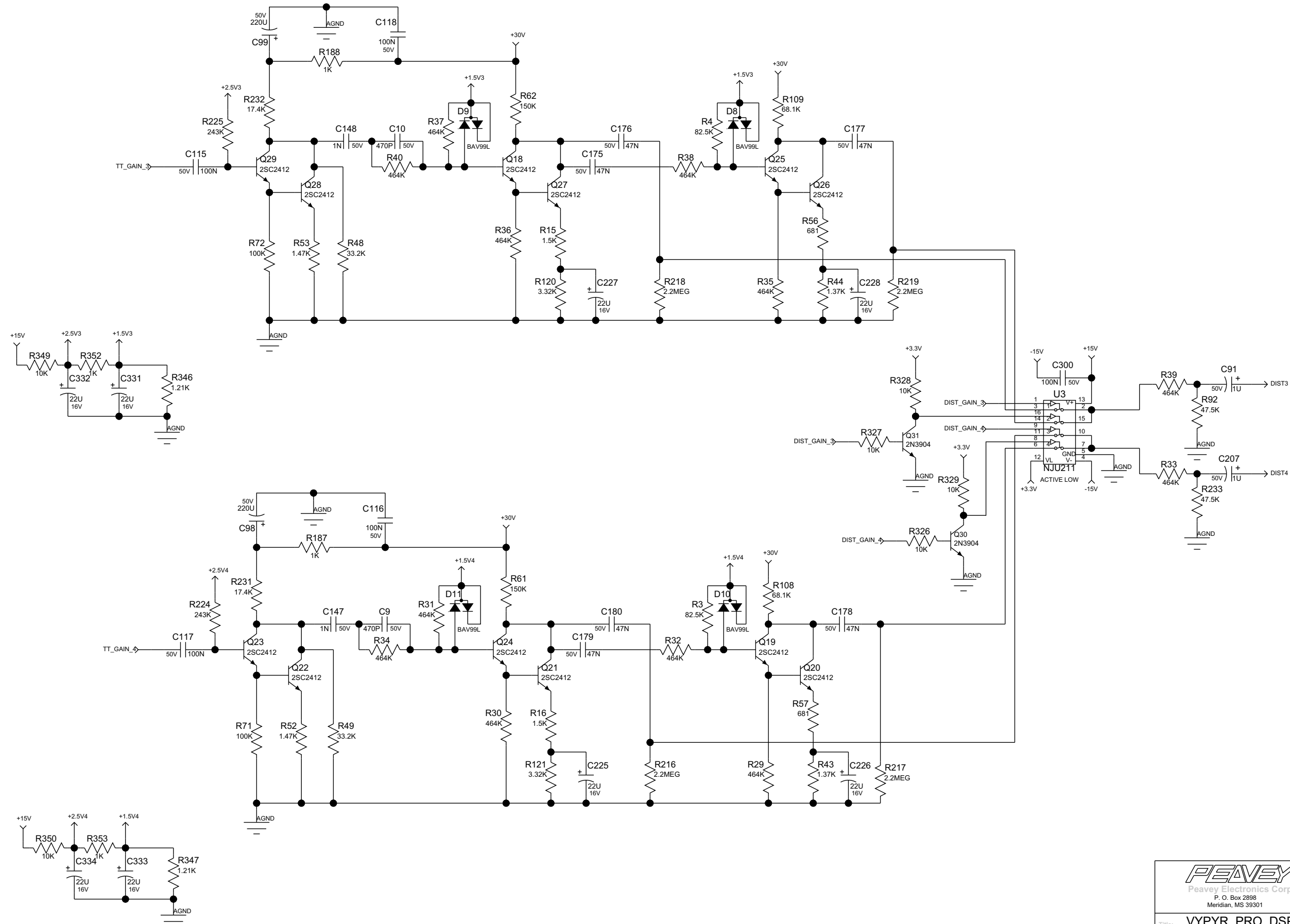
Title: VYPYR_PRO_DSP

Sheet Title:

C Sheet 4 of 8 Date: 4-14-2014_9:47



Title: VYPYR_PRO_DSP
Sheet Title:

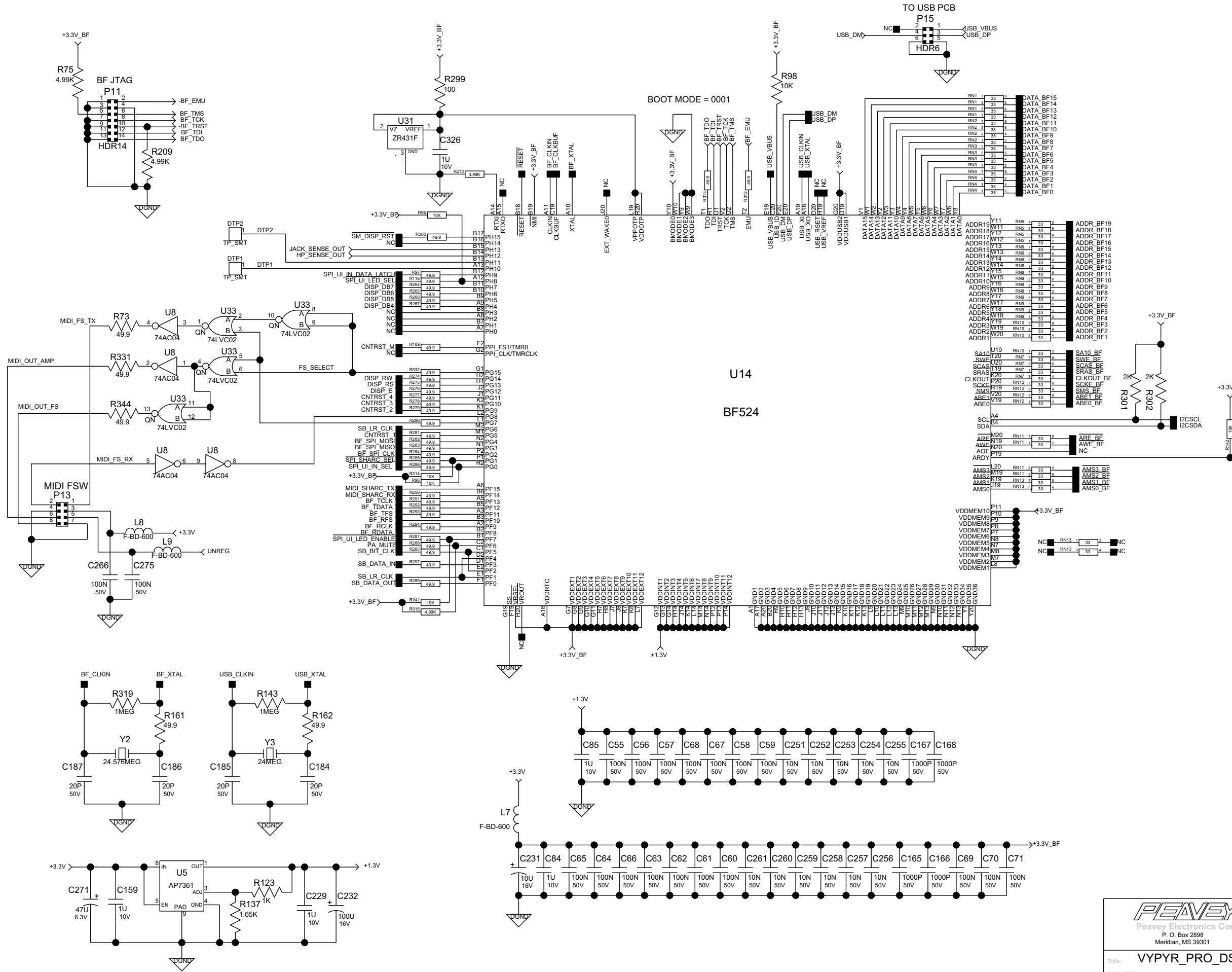


Peavey Electronics Corp.
P. O. Box 2898
Meridian, MS 39301

Title: VYPYR_PRO_DSP

Sheet Title:

C Sheet 6 of 8 Date: 4-14-2014_9:47

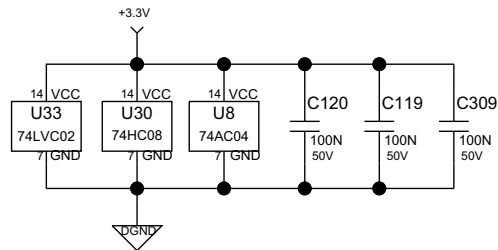
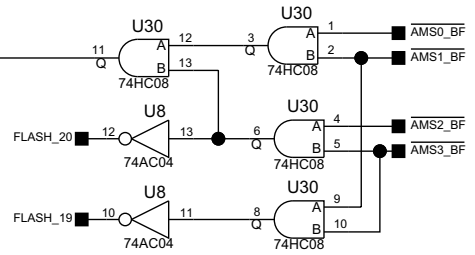
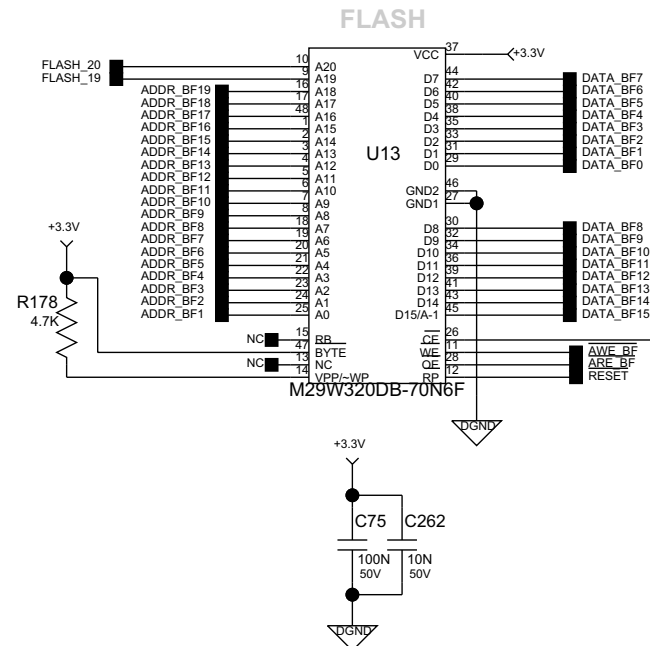


Peavey Electronics Corp.
P. O. Box 2898
Meridian, MS 39301

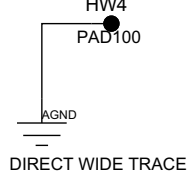
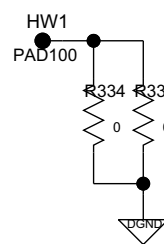
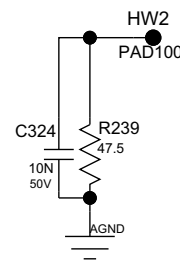
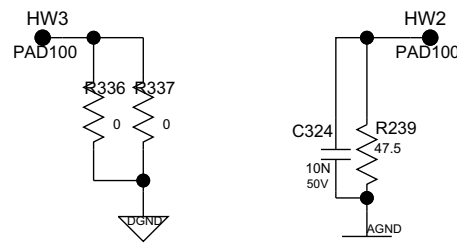
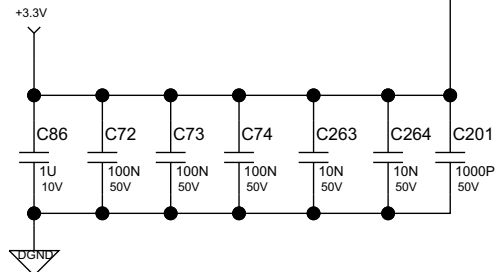
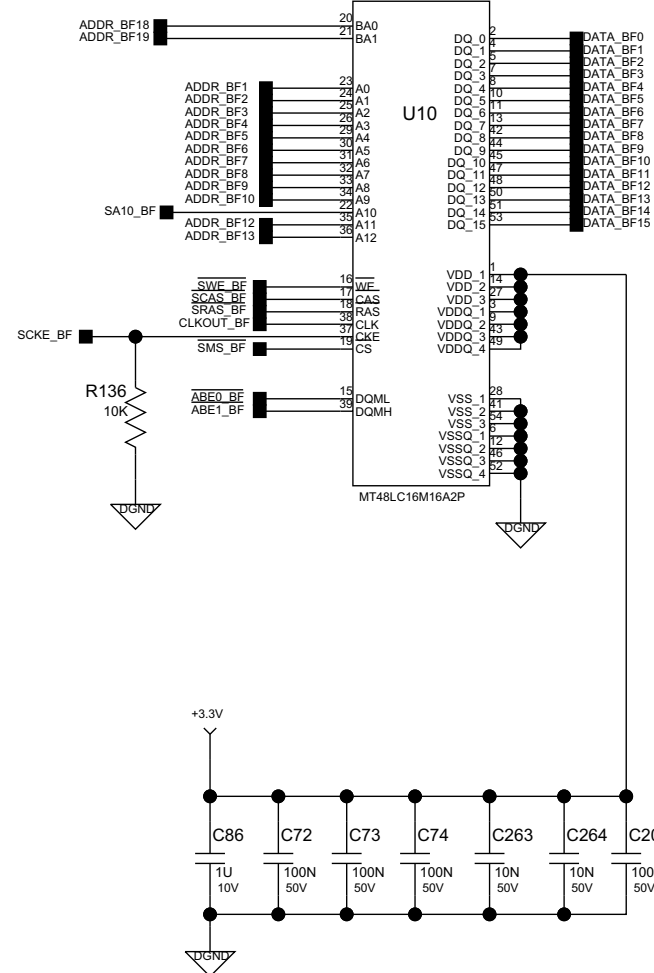
Title: VYPYR_PRO_DSP

Sheet Title:

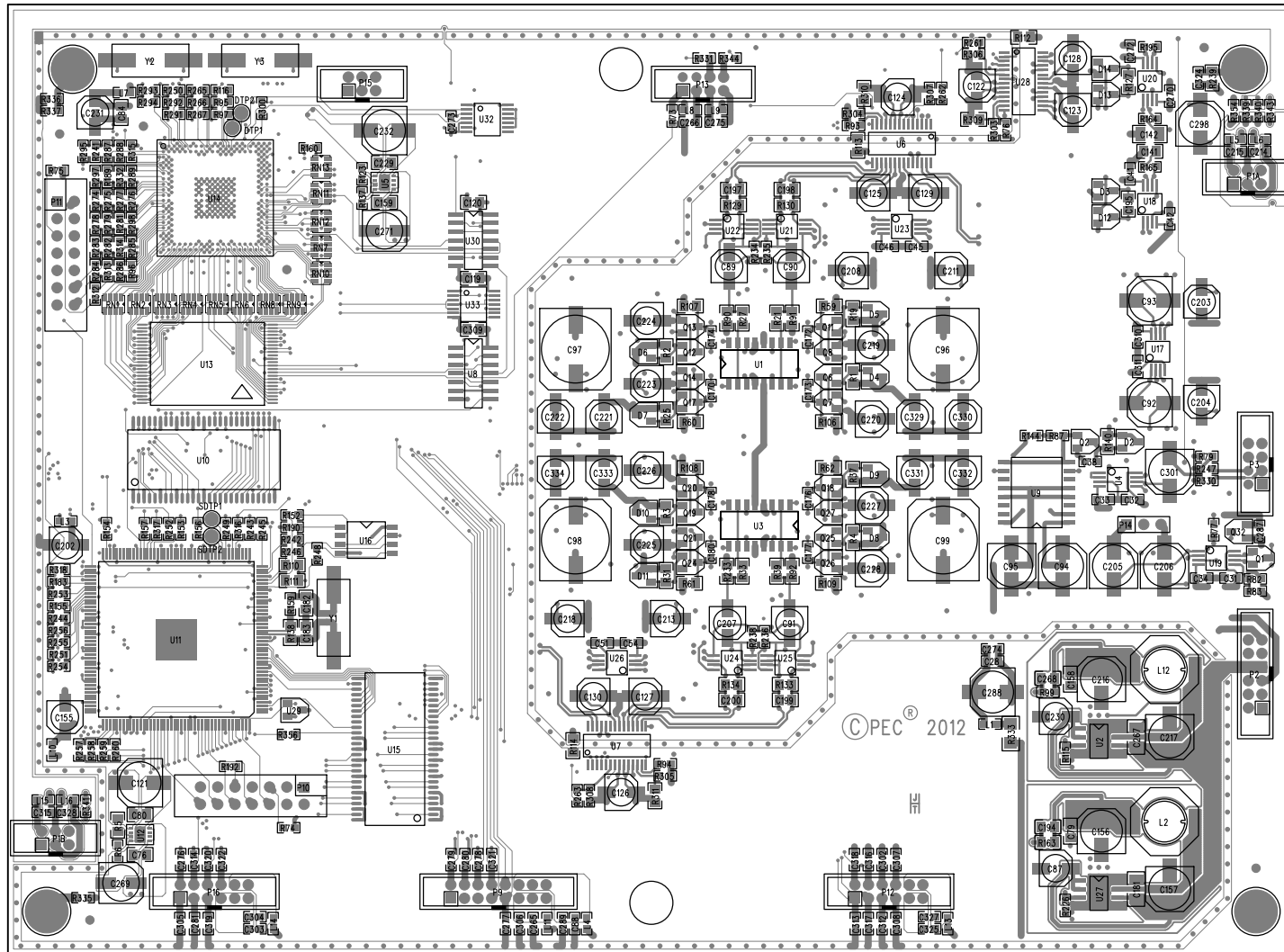
C Sheet 7 of 8 Date: 4-14-2014_9:47

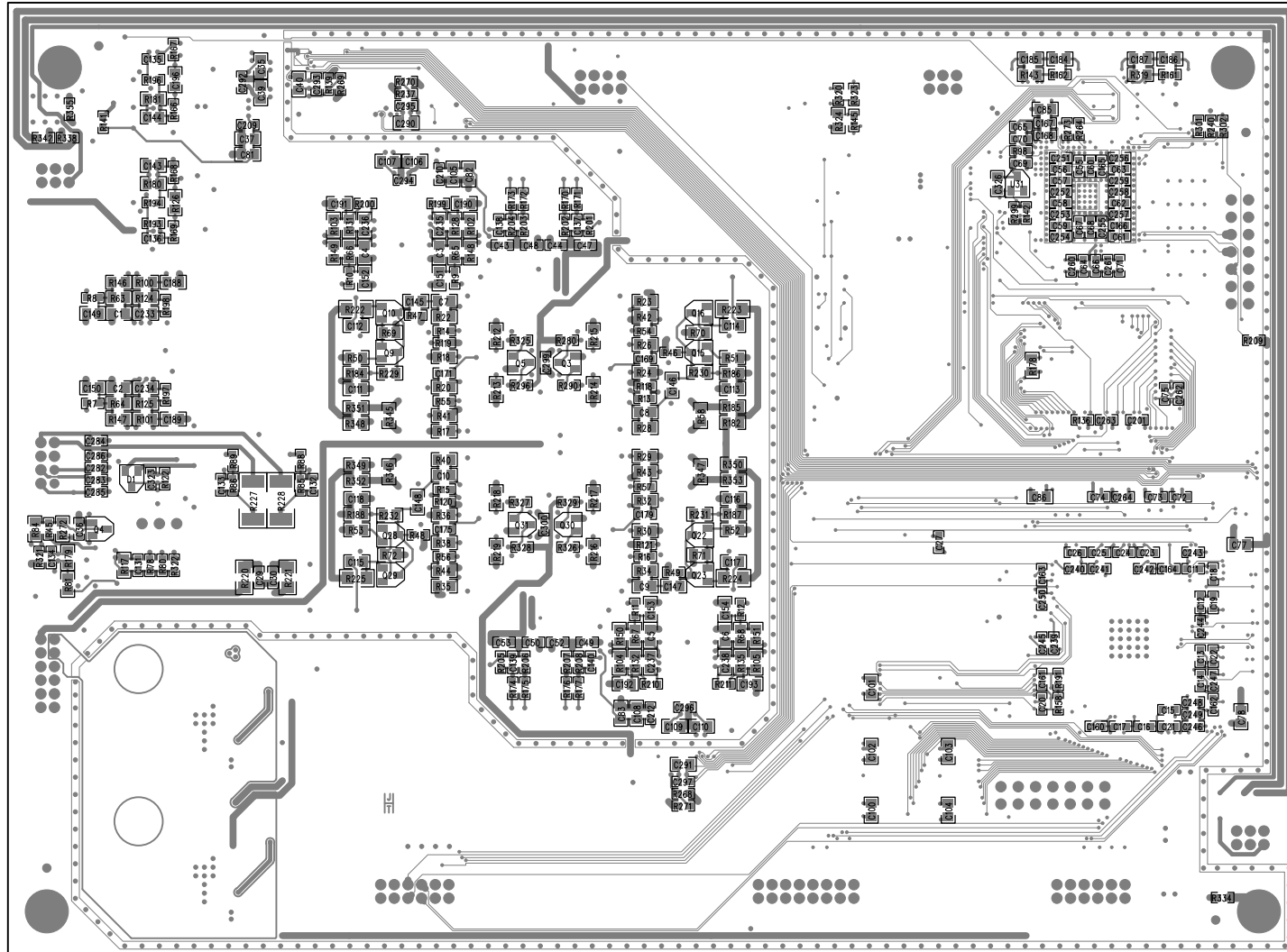


SDRAM



Title: VYPYR_PRO_DSP
Sheet Title:





BILL OF MATERIAL REPORT

REPORT DATE/TIME: 4/14/2014 2:32:37 PM

BOARD NAME: VYPYR 2 PRO DSP ASSEMBLY LEVEL NUMBER: 32200410B

PROJECT NUMBER: P1000115 DESIGNER: JTH-32101919B

Qty.	Part #	Description	Reference Designators
9	30200074	10K 1/10W 0.1% MF 0805	R180 R181 R182 R309 R310 R311 R348 R349 R350
4	30200124	243K 1/4W 1% MF 1206	R222 R223 R224 R225
2	30200164	0.0 JUMPER SMT 0805	R110 R111
1	30200165	4.7K 1/10W 5% MF 0805	R178
8	30200188	1.00K 1/10W 1% MF 0805	R184 R185 R186 R187 R188 R351 R352 R353
4	30200189	1.37K 1/10W 1% MF 0805	R41 R42 R43 R44
4	30200194	100K 1/10W 1% MF 0805	R69 R70 R71 R72
7	30200195	1.00M 1/10W 1% MF 0805	R84 R138 R140 R143 R272 R319 R324
4	30200201	1.47K 1/10W 1% MF 0805	R50 R51 R52 R53
4	30200205	47.5K 1/10W 1% MF 0805	R90 R91 R92 R233
2	30200238	22 1W 5% MF 2512	R227 R228
3	30200241	4.70 1/10W 1% MF 0805	R112 R113 R114
6	30200247	715 1/10W 1% MF 0805	R63 R64 R65 R66 R67 R68
3	30200259	39.2K 1/10W 1% MF 0805	R81 R117 R179
12	30200281	0.0 JUMPER 0.1 0603	R334 R335 R336 R337 R338 R339 R340 R341 R342 R343 R354 R355
11	30200284	1.5K 1/10W 1% MF 0603	R6 R7 R8 R9 R10 R11 R12 R13

					R14 R15 R16
2	30200287	100	1/10W	1% MF 0603	R299 R356
2	30200288	100K	1/10W	5% MF 0603	R45 R79
33	30200289	10K	1/10W	1% MF 0603	R76 R77 R78 R85 R86 R87 R88 R89 R93 R94 R95 R96 R98 R122 R136 R139 R141 R142 R237 R241 R247 R268 R280 R290 R296 R314 R323 R325 R326 R327 R328 R329 R330
16	30200294	1K	1/10W	1% MF 0603	R123 R164 R165 R166 R167 R168 R169 R170 R171 R172 R173 R174 R175 R176 R177 R321
2	30200295	20K	1/10W	1% MF 0603	R80 R322
4	30200301	3.32K	1/10W	1% MF 0603	R118 R119 R120 R121
4	30200335	68.1K	1/10W	1% MF 0805	R106 R107 R108 R109
4	30200337	82.5K	1/10W	1% MF 0805	R1 R2 R3 R4
1	30200344	562	1/10W	1% MF 0805	R5
2	30200348	10	1/4W	1% MF 1206	R220 R221
72	30200351	49.9	1/10W	1% MF 0603	R73 R97 R116 R153 R154 R155 R156 R157 R158 R159 R161 R162 R183 R189 R240 R242 R243 R244 R245 R249 R250 R251 R252 R253 R254 R255 R256 R257 R258 R259 R260 R261 R262 R263 R264 R265 R266 R267 R269 R270 R271 R274 R275 R276 R277 R278 R279 R281 R282 R283 R284 R285 R286 R287 R288 R289 R291 R292 R293 R294 R295 R297 R298 R300 R312 R313 R316 R317 R318 R331 R332 R344
6	30200392	4.42K	1/10W	1% MF 0805	R100 R101 R102 R103 R104 R105

12	30200396	2.32K	1/10W	1%	MF	0805	R124 R125 R126 R127 R128 R129 R130 R131 R132 R133 R134 R135
24	30200417	464K	1/10W	1%	MF	0805	R17 R18 R19 R20 R21 R22 R23 R24 R25 R26 R27 R28 R29 R30 R31 R32 R33 R34 R35 R36 R37 R38 R39 R40
1	30200427	8.66K	1/10W	1%	MF	0805	R163
4	30200428	17.4K	1/10W	1%	MF	0805	R229 R230 R231 R232
4	30200438	1.21K	1/10W	1%	MF	0805	R58 R345 R346 R347
8	30200443	2.2M	1/10W	5%		0805	R212 R213 R214 R215 R216 R217 R218 R219
4	30200467	681	1/10W	1%	MF	0603	R54 R55 R56 R57
1	30200472	5.11K	1/10W	1%	MF	0603	R99
7	30200475	100K	1/10W	1%	MF	0603	R144 R145 R234 R235 R236 R238 R320
3	30200483	8.06K	1/10W	1%	MF	0603	R306 R307 R308
2	30200484	2K	1/10W	1%	MF	0603	R301 R302
3	30200485	1.65K	1/10W	1%	MF	0603	R115 R137 R226
2	30200486	221	1/10W	1%	MF	0603	R82 R83
1	30200529	2.21	1/4W	51	MF	1206	R333
4	30200538	150K	1/10W	1%		0805	R59 R60 R61 R62
4	30200539	33.2K	1%	1/10W		0603	R46 R47 R48 R49
6	30200541	1.33K	1/10W	1%		0805	R146 R147 R148 R149 R150 R151
1	30200543	47.5	1/10W	1%		0805	R239
26	30200553	4.99K	1%	1/10W		0603	R74 R75 R190 R191 R192 R193 R194 R195 R196 R197 R198 R199 R200 R201 R202 R203 R204 R205 R206 R207 R208 R209 R210 R211

					R273 R315
3	30200570	49.9	1/10W	0.1% TF 0603	R303 R304 R305
13	30200589	33	0.062W	5% 4X 0603 ARRAY	RN1 RN2 RN3 RN4 RN5 RN6 RN7 RN8 RN9 RN10 RN11 RN12 RN13
1	30300069	0.22UF	50V	10% X7R 1206	C142
7	30300079	47UF	35V	20% EL SMT6	C92 C93 C94 C95 C205 C206 C301
12	30300080	10UF	16V	20% EL SMT4	C122 C123 C124 C125 C126 C127 C128 C129 C130 C155 C202 C231
4	30300081	1UF	50V	20% EL SMT4	C89 C90 C91 C207
10	30300090	470PF	50V	5% NPO 0805	C1 C2 C3 C4 C5 C6 C7 C8 C9 C10
6	30300091	1000PF	50V	5% NPO 0805	C143 C144 C145 C146 C147 C148
6	30300092	20PF	50V	5% NPO 0805	C182 C183 C184 C185 C186 C187
15	30300094	1UF	10V	10% X7R 0805	C76 C77 C78 C79 C80 C81 C82 C83 C84 C85 C86 C158 C159 C229 C326
6	30300096	6800PF	50V	5% X7R 0805	C188 C189 C190 C191 C192 C193
4	30300098	220UF	50V	20% EL SMT10	C96 C97 C98 C99
1	30300116	0.01UF	50V	5% X7R 0805	C141
2	30300118	47UF	6.3V	20% EL SMT5	C269 C271
28	30300121	0.1UF	50V	5% X7R 0805	C35 C37 C39 C40 C100 C101 C102 C103 C104 C105 C106 C107 C108 C109 C110 C111 C112 C113 C114 C115 C116 C117 C118 C119 C120 C290 C291 C309
4	30300123	1000PF	50V	10% X7R 0603	C201 C282 C283 C285
43	30300124	0.01UF	50V	+80,20% Y5V 0603	C209 C210 C212 C239

C240 C241 C242 C243
C244 C245 C246 C247
C248 C249 C250 C251
C252 C253 C254 C255
C256 C257 C258 C259
C260 C261 C262 C263
C264 C274 C289 C292
C293 C294 C295 C296
C297 C304 C306 C315
C324 C327 C328

73	30300128	0.1UF	50V	+80/-20%	Y5V	0603	C11 C12 C13 C14 C15 C16 C17 C18 C19 C20 C21 C22 C23 C24 C25 C26 C28 C29 C30 C31 C32 C33 C34 C36 C38 C41 C42 C43 C44 C45 C46 C47 C48 C49 C50 C51 C52 C53 C54 C55 C56 C57 C58 C59 C60 C61 C62 C63 C64 C65 C66 C67 C68 C69 C70 C71 C72 C73 C74 C75 C88 C265 C266 C270 C272 C273 C275 C299 C300 C303 C310 C311 C325
2	30300130	1UF	25V	+80/-20%	Y5V	1206	C181 C267
2	30300131	10UF	35V	20%	EL	SMT4	C87 C230
23	30300133	100PF	50V	5%	NPO	0603	C276 C277 C278 C279 C280 C281 C284 C286 C287 C302 C305 C307 C308 C312 C313 C314 C316 C317 C318 C319 C320 C321 C322
6	30300148	0.022UF	50V	5%	X7R	0805	C149 C150 C151 C152 C153 C154
3	30300152	100UF	16V	20%	EL	LOZ SMT6	C121 C232 C288
9	30300160	1000PF	50V	5%	NPO	0603	C160 C161 C162 C163 C164 C165 C166 C167 C168
8	30300161	4700PF	50V	5%	X7R	0805	C194 C195 C196 C197 C198 C199 C200 C268
1	30300178	10UF	50V	20%	EL	SMT6	C298
12	30300198	47NF	50V	10%	X7R	0603	C169 C170 C171 C172 C173 C174 C175 C176 C177 C178 C179 C180

11	30300220	39PF 50V 5% NPO 0603	C131 C132 C133 C134 C135 C136 C137 C138 C139 C140 C323
22	30300237	22UF 16V 20% EL SMT4	C203 C204 C208 C211 C213 C218 C219 C220 C221 C222 C223 C224 C225 C226 C227 C228 C329 C330 C331 C332 C333 C334
6	30300245	1500PF 50V 5% NPO 0805	C233 C234 C235 C236 C237 C238
4	30300311	220UF 16V 20% EL LOZ SMT6	C156 C157 C216 C217
1	30418001	74HC08 4- 2IN AND SO14	U30
24	30418034	2SC2412S NPN SMT	Q6 Q7 Q8 Q9 Q10 Q11 Q12 Q13 Q14 Q15 Q16 Q17 Q18 Q19 Q20 Q21 Q22 Q23 Q24 Q25 Q26 Q27 Q28 Q29
4	30418135	2N3904 NPN SOT23	Q3 Q5 Q30 Q31
3	30418138	J111 JFET N SOT23	Q1 Q2 Q32
1	30418166	ZR431F ADJ SHUNT REG SMT	U31
1	30418181	74AC04 6- INVERTER SO14	U8
1	30418284	MMBT2907 PNP SOT23	Q4
2	30418315	NJU211M 4-ANALOG SW -SMT	U1 U3
1	30418573	74LVC02 QUAD NOR GATES LVCMOS	U33
3	30418616	CS4272 ST 24BIT 114DB CODEC	U6 U7 U28
1	30418622	TCA0372 DUAL 1A OPAMP SOIC16W	U9
14	30418655	BAV99L DUAL 4148 DIODE SO	D1 D2 D3 D4 D5 D6 D7 D8 D9 D10 D11 D12 D13 D14
1	30418738	ADM1815 PROCESSOR RESET 2.88V	U29
1	30418744	74HC14 6- SCHMITT TSSOP14	U32
1	30418756	SDRAM 16MX16 54TSOP	U10
11	30418836	NJM4580 DUAL OPAMP SSOP8	U4 U17 U18 U19

			U20 U21 U22 U23 U24 U25 U26
2	30418882	ST1S10 3A SYNC ADJ VOL REG SMT	U2 U27
2	30418930	AP7361 LDO VREG 1-5V 1A SMT	U5 U12
1	30419283	ADSP21488 SHARC 350MHZ LQFP176	U11
1	30419284	BF524 BLACKFIN 300MHZ USB BGA	U14
1	30419287	FLSH MEMORY, 32MBIT SMT TSOP48	U13
1	30419292	IS42S16800E 128M SDRAM TSOP	U15
12	30500935	FERRITE CHIP SMT 600OHM 1.3A	L1 L3 L4 L7 L8 L9 L10 L11 L13 L14 L15 L16
2	30519995	10UH IND 4.5A SHIELDED SMT	L2 L12
2	30810022	24.576MHZ HC49S CRYSTAL SMT	Y1 Y2
1	30810027	CRYSTAL 24.00MHZ SMT	Y3
1	33717040	14 HDR V DR .100" TIN	P11
1	33717052	3 HDR V SR .100" TIN	P14
2	33717358	6 HDR V DR 2MM GOLD	P1B P15
2	33717359	8 HDR V DR 2MM GOLD	P3 P13
3	33717360	12 HDR V DR 2MM GOLD	P2 P12 P16
1	33717362	16 HDR V DR 2MM GOLD	P9

 END OF BILL OF MATERIAL REPORT
