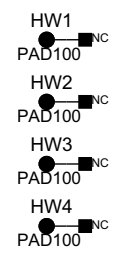
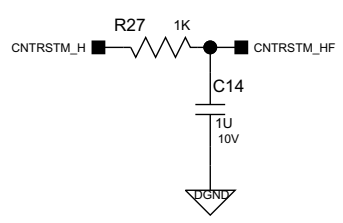
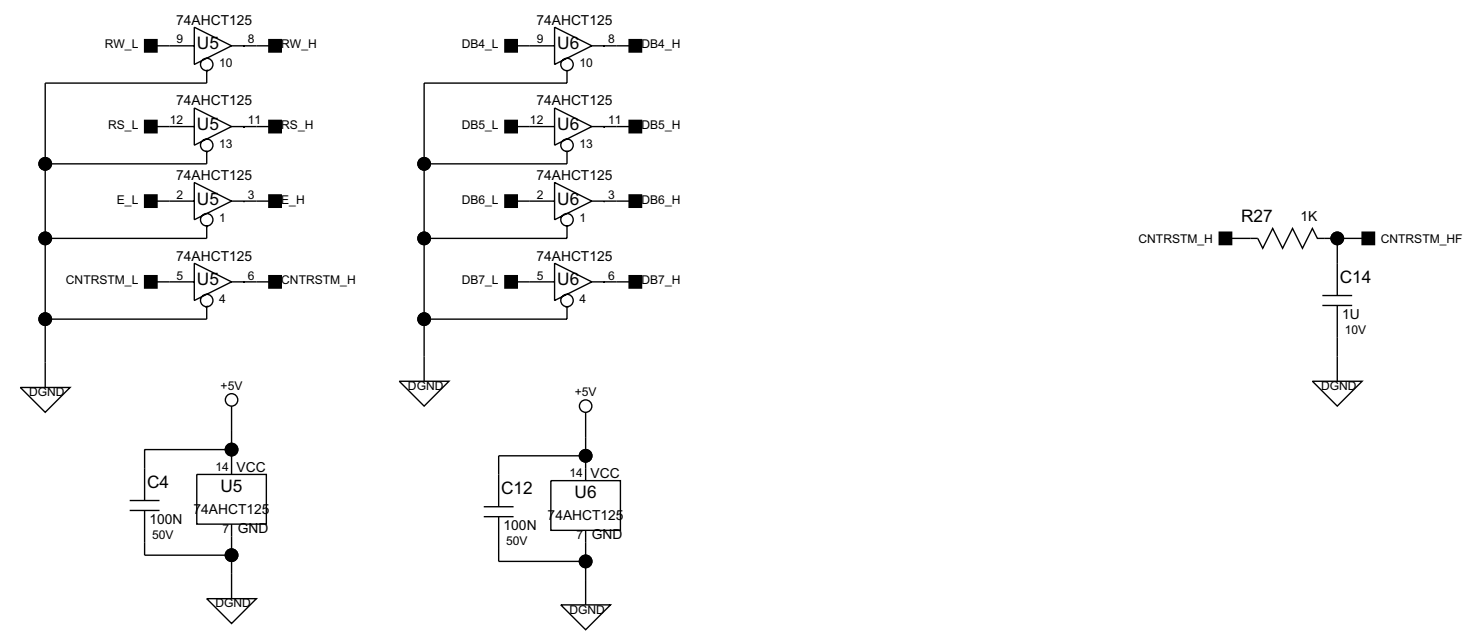


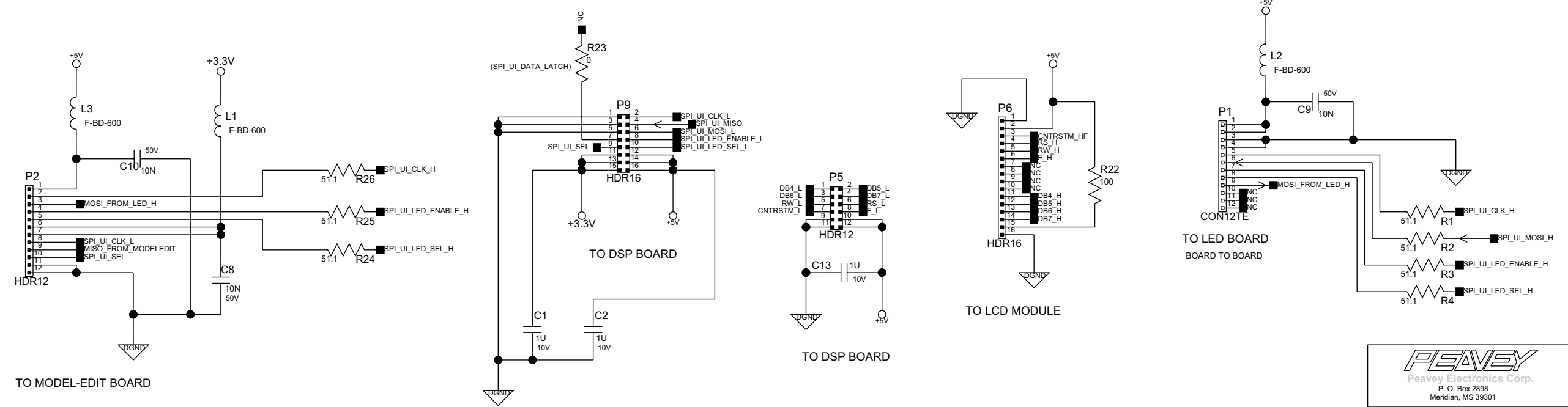
A

A



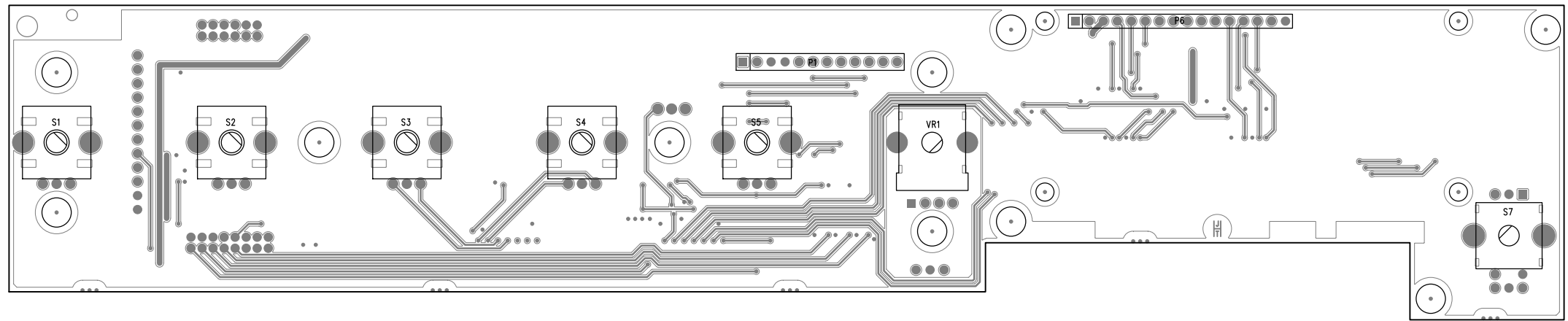
B

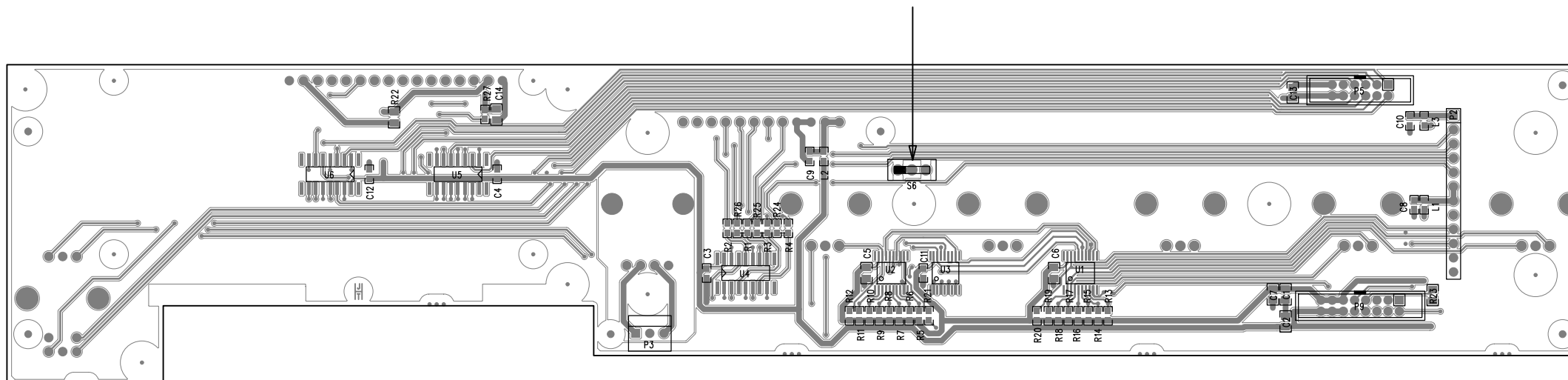
B



WYPYR_PRO_ENCODER

Sheet Title:





BILL OF MATERIAL REPORT

REPORT DATE/TIME: 1/31/2014 9:37:58 AM

BOARD NAME: VYPYR PRO ENCODER ASSEMBLY LEVEL NUMBER: 32202330C

PROJECT NUMBER: P1000115 DESIGNER: JTH-32101926C

Qty.	Part #	Description	Reference Designators
1	30200164	0.0 JUMPER SMT 0805	R23
1	30200181	100 1/10W 1% MF 0805	R22
16	30200289	10K 1/10W 1% MF 0603	R5 R6 R7 R8 R9 R10 R11 R12 R13 R14 R15 R16 R17 R18 R19 R20
1	30200294	1K 1/10W 1% MF 0603	R27
8	30200315	51.1 1/10W 1% MF 0603	R1 R2 R3 R4 R21 R24 R25 R26
4	30300094	1UF 10V 10% X7R 0805	C1 C2 C13 C14
3	30300121	0.1UF 50V 5% X7R 0805	C5 C6 C7
3	30300124	0.01UF 50V +80,20% Y5V 0603	C8 C9 C10
4	30300128	0.1UF 50V +80/-20% Y5V 0603	C3 C4 C11 C12
3	30418524	74AHCT125 4-TRI 3V- 5V BUF	U4 U5 U6
2	30418732	74HC589 8-BIT SHIFT REGISTER	U1 U2
1	30418744	74HC14 6- SCHMITT TSSOP14	U3
3	30500935	FERRITE CHIP SMT 600OHM 1.3A	L1 L2 L3
1	31191533	10KB SNGL 12MM VER	VR1
5	31322577	ENCDR 12P 12D 2BIT PC V	S1 S2 S3 S4 S5
1	31322595	ENCDR DUAL 15P 30D 2BIT PC V	S7
1	33717013	3 HDR V SR .100" TIN LK	P3
1	33717360	12 HDR V DR 2MM GOLD	P5
1	33717362	16 HDR V DR 2MM GOLD	P9

1	33719221	12 HDR V SR .100" GLD	P2
1	33719222	12 HDR CONN TE SR .100" GLD	P1
1	33719223	16 HDR V SR .100" TIN	P6

END OF BILL OF MATERIAL REPORT
