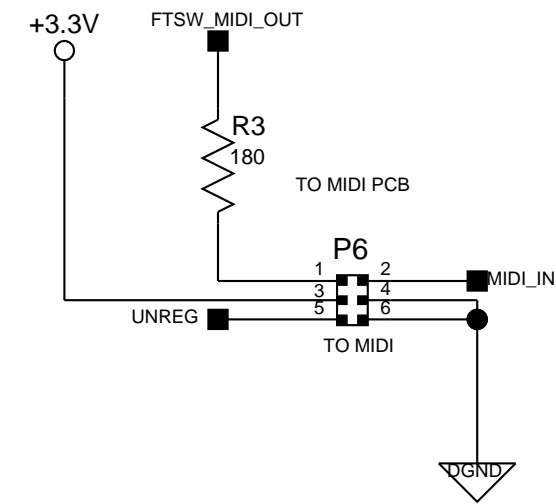
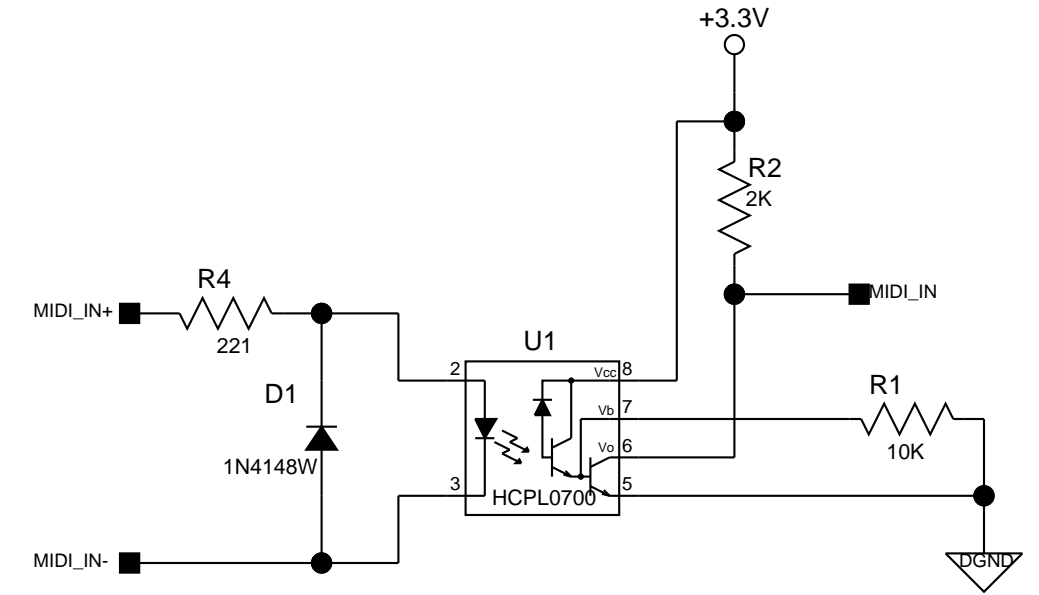
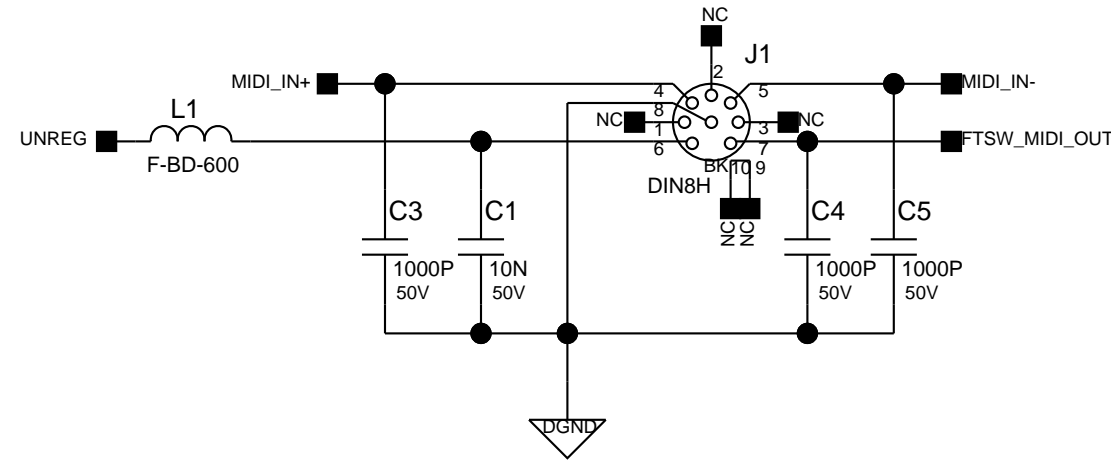


REV	Eng	Date:	Revision Description	ECN#
A				
B				
C				
D				
E				
F				

INDEX

SHEET	DESCRIPTION



Note: All thru hole Resistors are 1/4 Watt unless otherwise indicated.

All SMT 1206 Resistors are 1/4 Watt.

All SMT 0805 Resistors are 1/10 Watt.

Note Capacitor Values are indicated as Follows:

val P = pF (picoFarads) val \* 10 exp-12

val N = nF (nanoFarads) val \* 10 exp-9 (1N=1000pF, 100N=0.1uF)

val U = uF (microFarads) val \* 10 exp-6

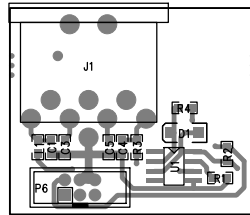
Patents:

Copyright Peavey Electronics Corporation 2008.

\*Company Proprietary Information\*



Product:	
Title: VYPYR_MIDI	
Project Number:	
Eng:	Release Date:
B Sheet 1 of 1 Saved: 1-31-2012_9:09	



BILL OF MATERIAL REPORT

-----

REPORT DATE/TIME: 2/8/2012 1:20:00 PM

BOARD NAME: VYPYR 2 MIDI ASSEMBLY LEVEL NUMBER: 32203004

PROJECT NUMBER: P1100025 DESIGNER: JTH-32101809B

Qty.	Part #	Description	Reference
Designators			

-----

1	30200289	10K 1/10W 1% MF 0603	R1
1	30200456	180 1/10W 1% MF 0603	R3
1	30200484	2K 1/10W 1% MF 0603	R2
1	30200486	221 1/10W 1% MF 0603	R4
3	30300123	1000PF 50V 10% X7R 0603	C3 C4 C5
1	30300124	0.01UF 50V +80,20% Y5V 0603	C1
1	30418301	OPTOCOUPER (SMT VER. OF 6N138)	U1
1	30418328	1N4148W SWITCHING DIODE	D1
1	30500935	FERRITE CHIP SMT 600OHM 1.3A	L1
1	31466147	CONN 8 POSITION RA PCMNT DIN	J1
1	33717358	6 HDR V DR 2MM GOLD	P6

-----

END OF BILL OF MATERIAL REPORT

-----