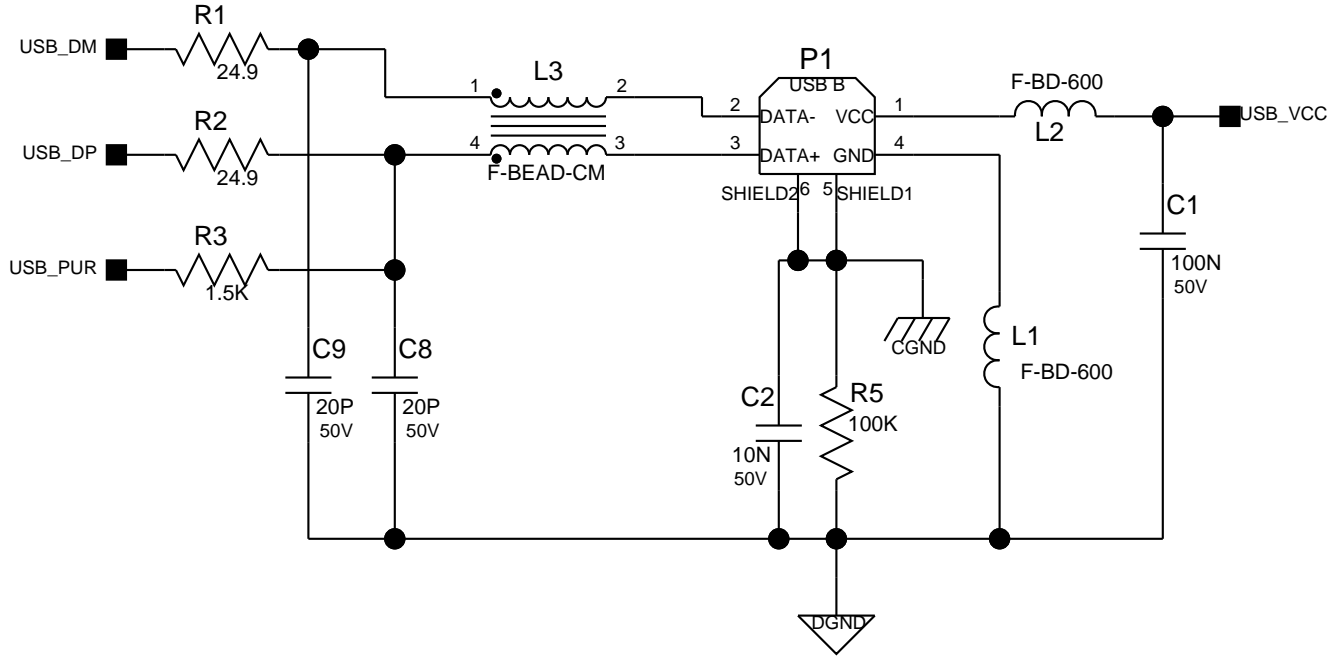
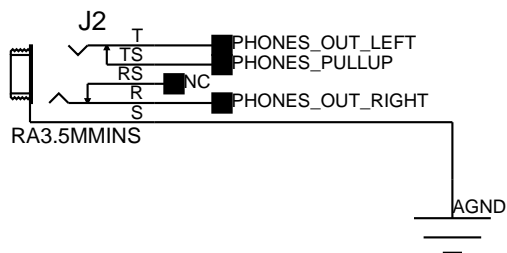
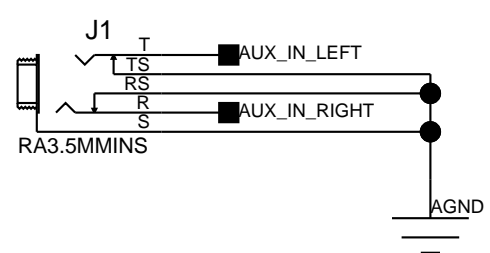
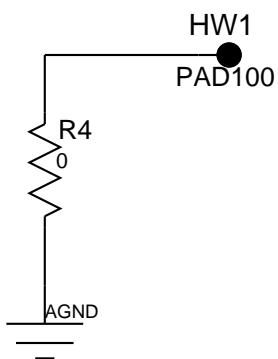
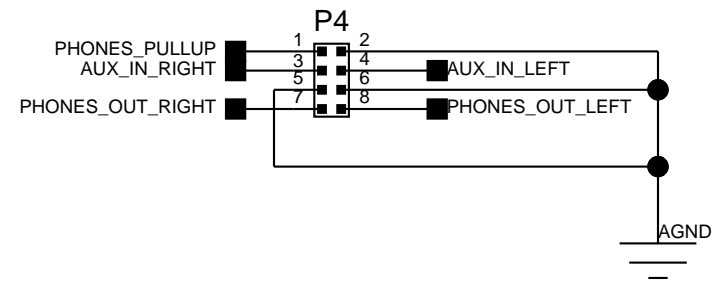
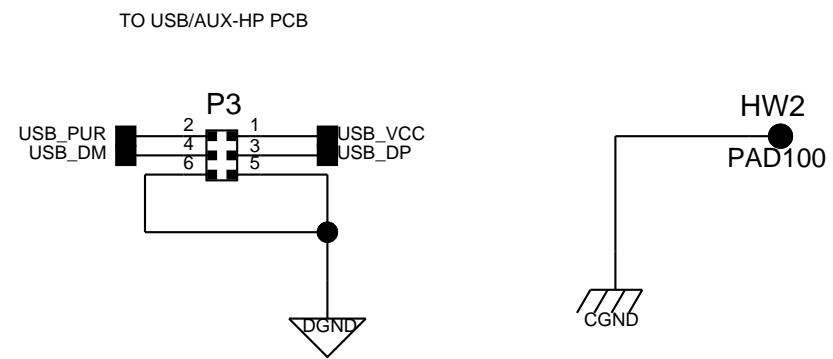


REV	Eng	Date:	Revision Description	ECN#
A				
B				
C				
D				
E				
F				

INDEX

SHEET	DESCRIPTION



Note: All thru hole Resistors are 1/4 Watt unless otherwise indicated.
All SMT 1206 Resistors are 1/4 Watt.
All SMT 0805 Resistors are 1/10 Watt.
Note Capacitor Values are indicated as Follows:
val P = pF (picoFarads) val * 10 exp-12
val N = nF (nanoFarads) val * 10 exp-9 (1N=1000pF, 100N=0.1uF)
val U = uF (microFarads) val * 10 exp-6

Patents:

Copyright Peavey Electronics Corporation 2008.

Company Proprietary Information

Peavey Electronics Corp.
P. O. Box 2898
Meridian, MS 39301

Product:

Title: **VYPYR_USB_AUX**

Project Number:

Eng: _____ Release Date: _____

B Sheet 1 of 1 Saved: 2-13-2012_15:36

1

2

3

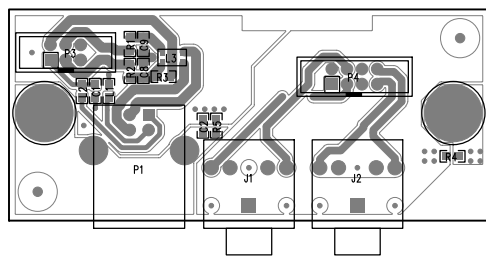
4

1

2

3

4



BILL OF MATERIAL REPORT

REPORT DATE/TIME: 2/14/2012 8:22:30 AM

BOARD NAME: VYPYR 2 USB ASSEMBLY LEVEL NUMBER: 32201830

PROJECT NUMBER: P1100025 DESIGNER: JTH-32101803B

Qty.	Part #	Description	Reference
Designators			

1	30200281	0.0 JUMPER 0.1 0603	R4
1	30200284	1.5K 1/10W 1% MF 0603	R3
2	30200298	24.9 1/10W 1% MF 0603	R1 R2
1	30200475	100K 1/10W 1% MF 0603	R5
1	30300124	0.01UF 50V +80,20% Y5V 0603	C2
1	30300128	0.1UF 50V +80/-20% Y5V 0603	C1
2	30300257	20PF 50V 5% NPO 0603	C8 C9
1	30500926	COMMON MODE F-BEAD	L3
2	30500935	FERRITE CHIP SMT 600OHM 1.3A	L1 L2
2	31466518	JACK, M/STR 1/8" PHONE - INSULATED	J1 J2
1	33715222	USB B HOR	P1
1	33717358	6 HDR V DR 2MM GOLD	P3
1	33717359	8 HDR V DR 2MM GOLD	P4

END OF BILL OF MATERIAL REPORT
