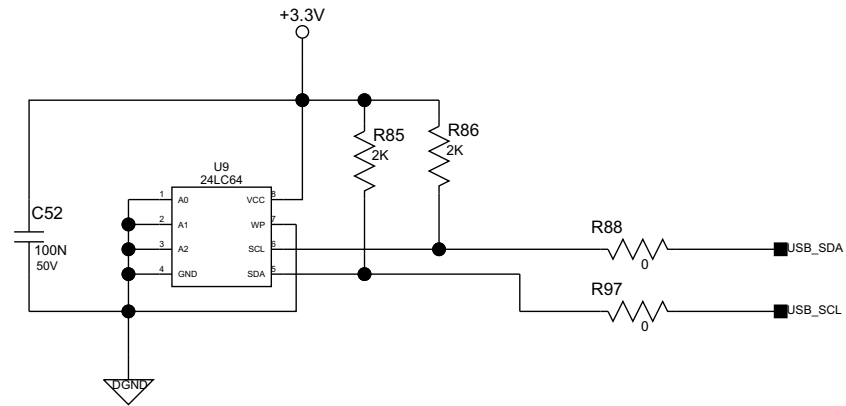
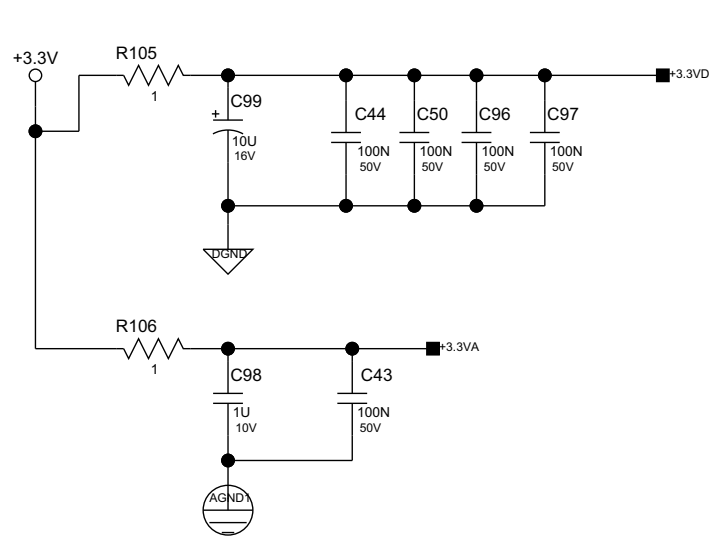
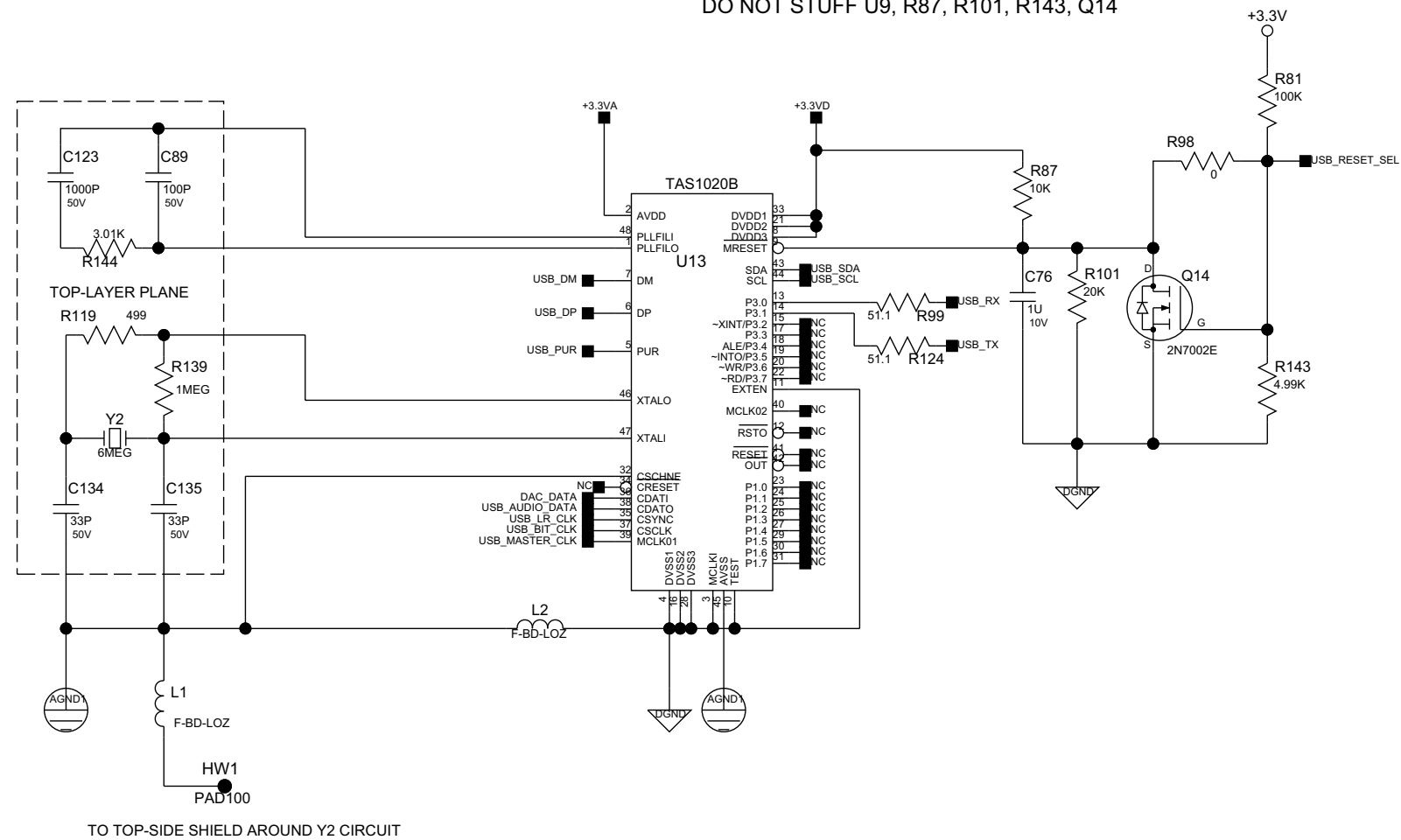


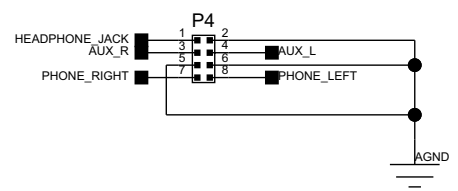
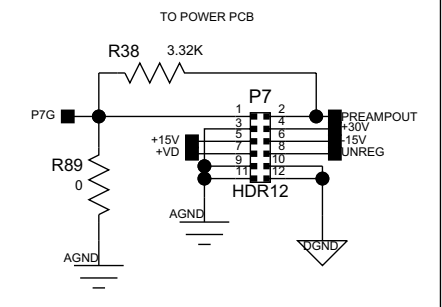
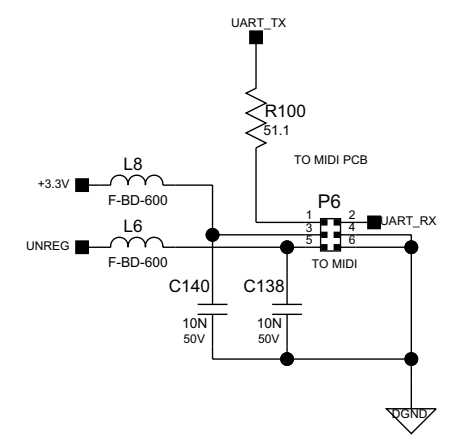
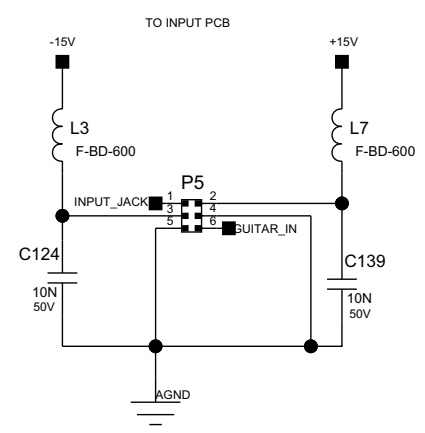
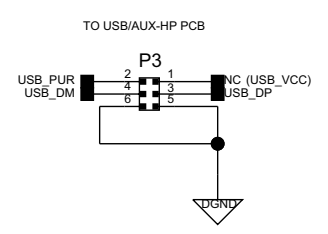
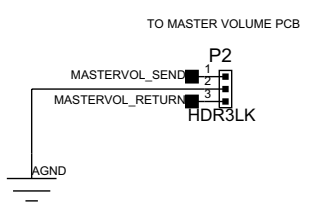
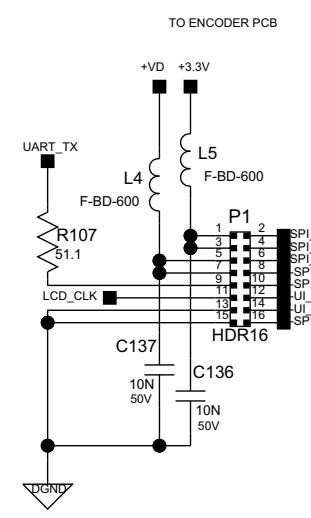
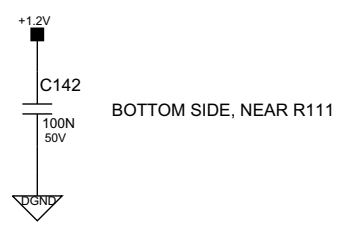
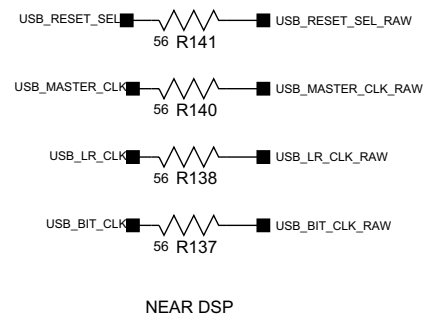
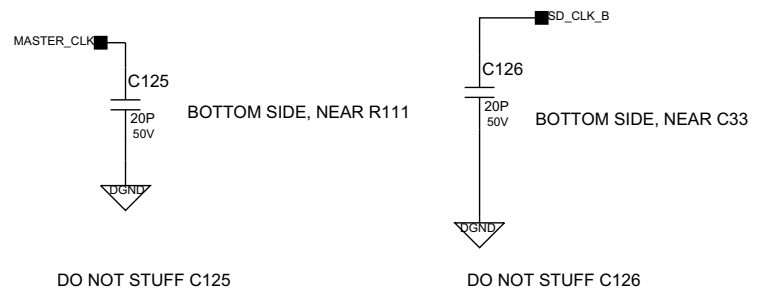
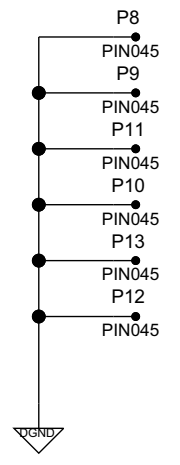
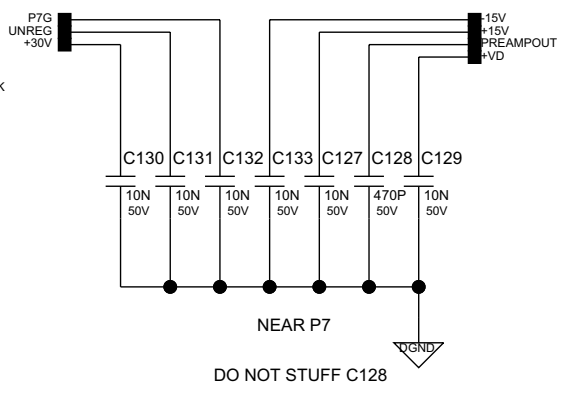
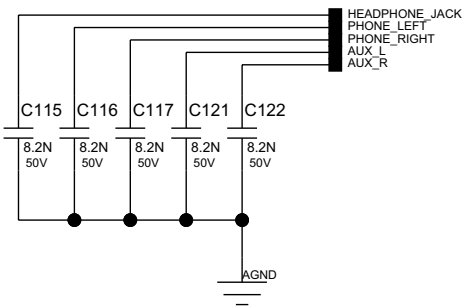
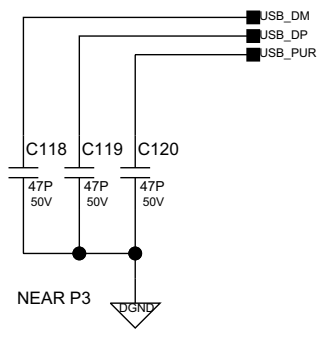
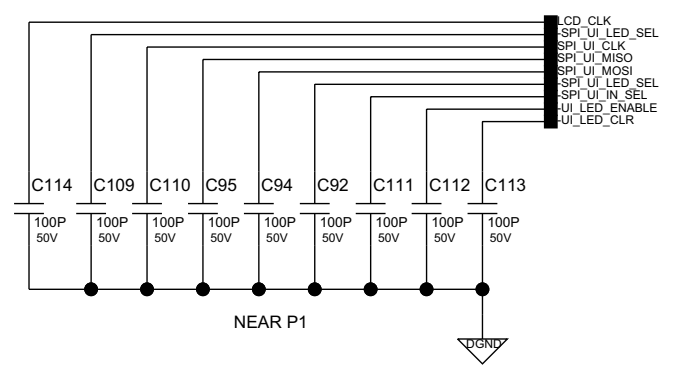
Title: VYPYR 40 DSP
 Sheet Title: DSP MAIN PCB



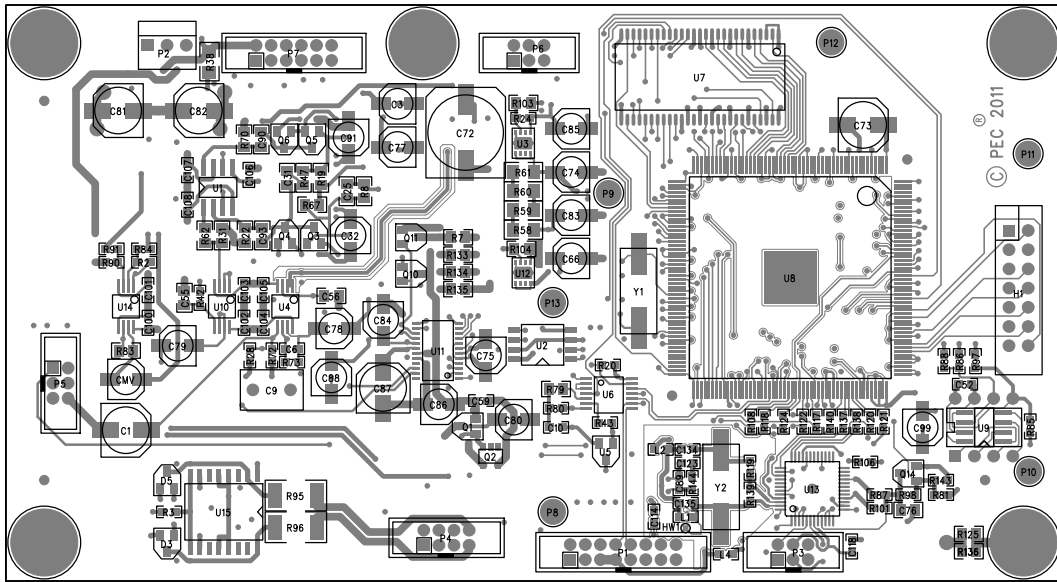
DO NOT STUFF U9, R87, R101, R143, Q14



TO TOP-SIDE SHIELD AROUND Y2 CIRCUIT

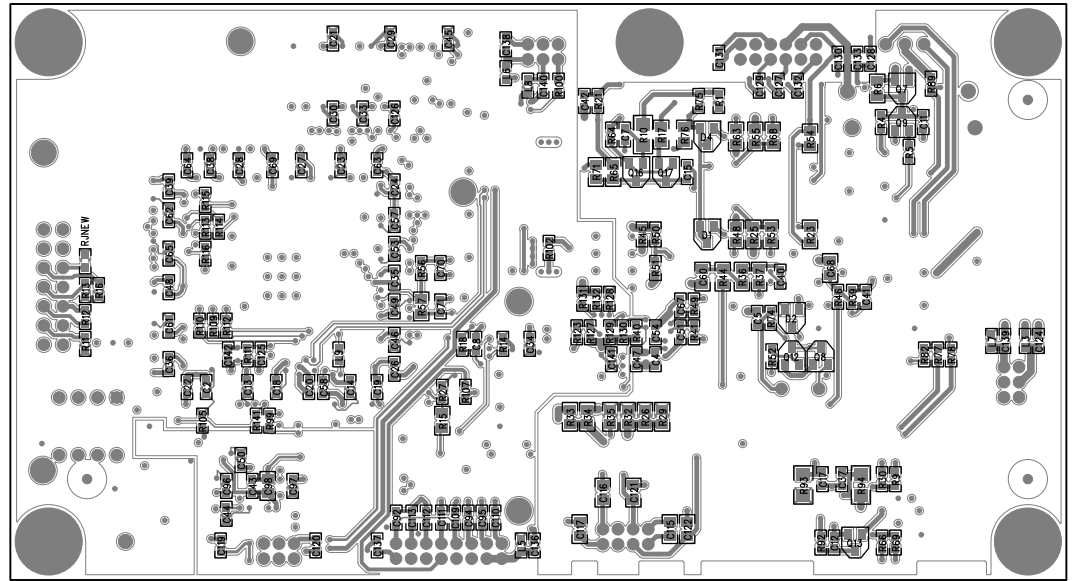


Title: VYPYR_DSP
Sheet Title:



| DO NOT INSTALL | | | | |
|----------------|------|------|------|------|
| R89 | R43 | R87 | R101 | R133 |
| R134 | R135 | R143 | C128 | C126 |
| Q14 | U9 | C125 | H1 | |

| DO NOT INSTALL | | | | |
|----------------|------|------|------|------|
| R89 | R43 | R87 | R101 | R133 |
| R134 | R135 | R143 | C128 | C126 |
| Q14 | U9 | C125 | H1 | |



BILL OF MATERIAL REPORT

REPORT DATE/TIME: 9/26/2012 12:00:37 PM

BOARD NAME: VYPYR VIP DSP

ASSEMBLY LEVEL NUMBER: 32202130D

PROJECT NUMBER: P1100026

DESIGNER: JTH-32101832D

| Qty. | Part # | Description | Reference |
|-------------|----------|------------------------|-------------|
| Designators | | | |
| ----- | | | |
| ----- | | | |
| 1 | 30200105 | 3.32K 1/4W 1% MF 1206 | R38 |
| 1 | 30200124 | 243K 1/4W 1% MF 1206 | R10 |
| 2 | 30200164 | 0.0 JUMPER SMT 0805 | R125 R136 |
| 1 | 30200173 | 4.99K 1/10W 1% MF 0805 | R44 |
| 2 | 30200174 | 10K 1/10W 1% MF 0805 | R15 R79 |
| 3 | 30200183 | 221 1/10W 1% MF 0805 | R26 R29 R32 |
| 1 | 30200189 | 1.37K 1/10W 1% MF 0805 | R55 |
| 2 | 30200190 | 1.50K 1/10W 1% MF 0805 | R53 R76 |
| 1 | 30200195 | 1.00M 1/10W 1% MF 0805 | R6 |
| 1 | 30200199 | 1.24K 1/10W 1% MF 0805 | R33 |
| 1 | 30200201 | 1.47K 1/10W 1% MF 0805 | R17 |
| 1 | 30200202 | 3.32K 1/10W 1% MF 0805 | R25 |
| 2 | 30200238 | 22 1W 5% MF 2512 | R95 R96 |
| 1 | 30200247 | 715 1/10W 1% MF 0805 | R68 |
| 1 | 30200251 | 4.75K 1/10W 1% MF 0805 | R103 |
| 1 | 30200257 | 31.6K 1/10W 1% MF 0805 | R31 |
| 1 | 30200259 | 39.2K 1/10W 1% MF 0805 | R83 |
| 1 | 30200264 | 499 1/10W 1% MF 0603 | R119 |
| 1 | 30200273 | 3.92K 1/10W 1% MF 0805 | R35 |

| | | | | |
|------------|----------|-------|------------------|---|
| 3 | 30200281 | 0.0 | JUMPER 0.1 0603 | R88 R97 R98 |
| 2 | 30200282 | 1.0 | 1/10W 5% MF 0603 | R105 R106 |
| 25 | 30200289 | 10K | 1/10W 1% MF 0603 | R1 R2 R3 R9 R11 R13 R16 R30 R39 R40 R42 R45 R50 R51 R52 R66 R69 R72 R73 R77 R78 R82 R84 R90 R91 |
| 6 | 30200294 | 1K | 1/10W 1% MF 0603 | R21 R41 R46 R49 R74 R75 |
| 1 | 30200301 | 3.32K | 1/10W 1% MF 0603 | R5 |
| 1 | 30200313 | 47K | 1/10W 5% MF 0603 | R127 |
| 19 R108 | 30200315 | 51.1 | 1/10W 1% MF 0603 | R99 R100 R107 |
| R112 | | | | R109 R110 R111 |
| R116 | | | | R113 R114 R115 |
| R121 | | | | R117 R118 R120 |
| | | | | R122 R123 R124 |
| 4 R141 | 30200317 | 56 | 1/10W 5% MF 0603 | R137 R138 R140 |
| 1 | 30200329 | 7.5K | 1/10W 1% MF 0805 | R104 |
| 1 | 30200330 | 33.2K | 1/10W 1% MF 0805 | R71 |
| 1 | 30200335 | 68.1K | 1/10W 1% MF 0805 | R54 |
| 1 | 30200337 | 82.5K | 1/10W 1% MF 0805 | R19 |
| 2 | 30200348 | 10 | 1/4W 1% MF 1206 | R93 R94 |
| 1 | 30200380 | 140K | 1/10W 1% MF 0805 | R23 |
| 6 | 30200417 | 464K | 1/10W 1% MF 0805 | R8 R47 R48 R62 R63 R67 |
| 1 | 30200428 | 17.4K | 1/10W 1% MF 0805 | R65 |
| 2 | 30200443 | 2.2M | 1/10W 5% 0805 | R22 R70 |
| 6 | 30200475 | 100K | 1/10W 1% MF 0603 | R4 R18 R27 R28 R64 R81 |

| | | | | | | | |
|------|----------|----------|-----|----------|-----|----------|---|
| 63 | 30300128 | 0.1UF | 50V | +80/-20% | Y5V | 0603 | C2 C4 C7 C8 C10 C11 C12 C13 C14 C17 C18 C19 C20 C21 C22 C23 C24 C26 C27 C28 C29 C30 C33 C34 C35 C36 C37 C38 C39 C42 C43 C44 C45 C46 C47 C48 C49 C50 C52 C53 C54 C57 C58 C59 C61 C62 C63 C64 C65 C69 C96 C97 C100 C101 C102 |
| C103 | | | | | | | C104 C105 C106 |
| C107 | | | | | | | C108 C141 C142 |
| 7 | 30300131 | 10UF | 35V | 20% | EL | SMT4 | C66 C74 C75 C83 C84 C85 C86 |
| 10 | 30300133 | 100PF | 50V | 5% | NPO | 0603 | C89 C92 C94 C95 C109 C110 C111 |
| C112 | | | | | | | C113 C114 |
| 2 | 30300138 | 33PF | 50V | 5% | NPO | 0603 | C134 C135 |
| 1 | 30300148 | 0.022UF | 50V | 5% | X7R | 0805 | C60 |
| 1 | 30300152 | 100UF | 16V | 20% | EL | LOZ SMT6 | C73 |
| 5 | 30300160 | 1000PF | 50V | 5% | NPO | 0603 | C6 C15 C40 C41 C123 |
| 1 | 30300161 | 4700PF | 50V | 5% | X7R | 0805 | C68 |
| 3 | 30300171 | 0.047UF | 50V | 5% | X7R | 0805 | C31 C90 C93 |
| 7 | 30300237 | 22UF | 16V | 20% | EL | SMT4 | C3 C32 C77 C79 C80 C91 CMV |
| 3 | 30300256 | 47PF | 50V | 5% | NPO | 0603 | C118 C119 C120 |
| 2 | 30300257 | 20PF | 50V | 5% | NPO | 0603 | C70 C71 |
| 1 | 30330128 | 0.22UF | 50V | 5% | PE | RAD | C9 |
| 6 | 30418034 | 2SC2412S | NPN | | | SMT | Q3 Q4 Q5 Q6 Q16 Q17 |
| 1 | 30418135 | 2N3904 | NPN | | | SOT23 | Q10 |

| | | | |
|----|----------|---|--------------------------|
| 3 | 30418138 | J111 JFET N SOT23 | Q7 Q8 Q13 |
| 3 | 30418284 | MMBT2907 PNP SOT23 | Q9 Q11 Q12 |
| 1 | 30418369 | 2N7002E N CH 60V MOSFET | Q1 |
| 1 | 30418391 | 1MX16X4 BANKS, 64MS | U7 |
| 1 | 30418622 | TCA0372 DUAL 1A OPAMP SOIC16W | U15 |
| 5 | 30418655 | BAV99L DUAL 4148 DIODE SO | D1 D2 D3 D4 D5 |
| 1 | 30418723 | ADG419 SPDT ANALOG SW SOIC8 | U1 |
| 1 | 30418734 | TAS1020B USB STRING CONTROLLER | U13 |
| 1 | 30418735 | CS4270 24BIT,192KHZ ST CODEC | U11 |
| 1 | 30418736 | ADSP21375 SHARC PROCESSOR MQFP | U8 |
| 1 | 30418737 | M25PE40 4MBIT FLASH | U2 |
| 1 | 30418738 | ADM1815 PROCESSOR RESET 2.88V | U5 |
| 1 | 30418744 | 74HC14 6- SCHMITT TSSOP14 | U6 |
| 1 | 30418758 | TL431 ADJ SHUNT REG, SOT23-5 | Q2 |
| 3 | 30418836 | NJM4580 DUAL OPAMP SSOP8 | U4 U10 U14 |
| 2 | 30418930 | AP7361 LDO VREG 1-5V 1A SMT | U3 U12 |
| 2 | 30500922 | FERRITE CHIP SMT 10OHM 100MHZ | L1 L2 |
| 6 | 30500935 | FERRITE CHIP SMT 600OHM 1.3A | L3 L4 L5 L6 L7 L8 |
| 1 | NEW PART | FERRITE CHIP MURATA BLM18BB331SN1 300OHM @ 100MHZ | |
| L9 | | | |
| 1 | 30810021 | 6.0MHZ HC49S CRYSTAL SMT | Y2 |
| 1 | 30810022 | 24.576MHZ HC49S CRYSTAL SMT | Y1 |
| 6 | 33717003 | 1 STAKE PIN .045 .625 TIN | P8 P9 P10 P11 P12 P13 |
| 1 | 33717013 | 3 HDR V SR .100" TIN LK | P2 |
| 3 | 33717358 | 6 HDR V DR 2MM GOLD | P3 P5 P6 |
| 1 | 33717359 | 8 HDR V DR 2MM GOLD | P4 |

| | | | |
|---|------------|---------------------------|----------------------------|
| 1 | 33717360 | 12 HDR V DR 2MM GOLD | P7 |
| 1 | 33717362 | 16 HDR V DR 2MM GOLD | P1 |
| 6 | PCB_PAD100 | PCB PAD .100" OD .053" ID | HW1 HW2 HW3 HW4 HW5 HW6 |

END OF BILL OF MATERIAL REPORT
